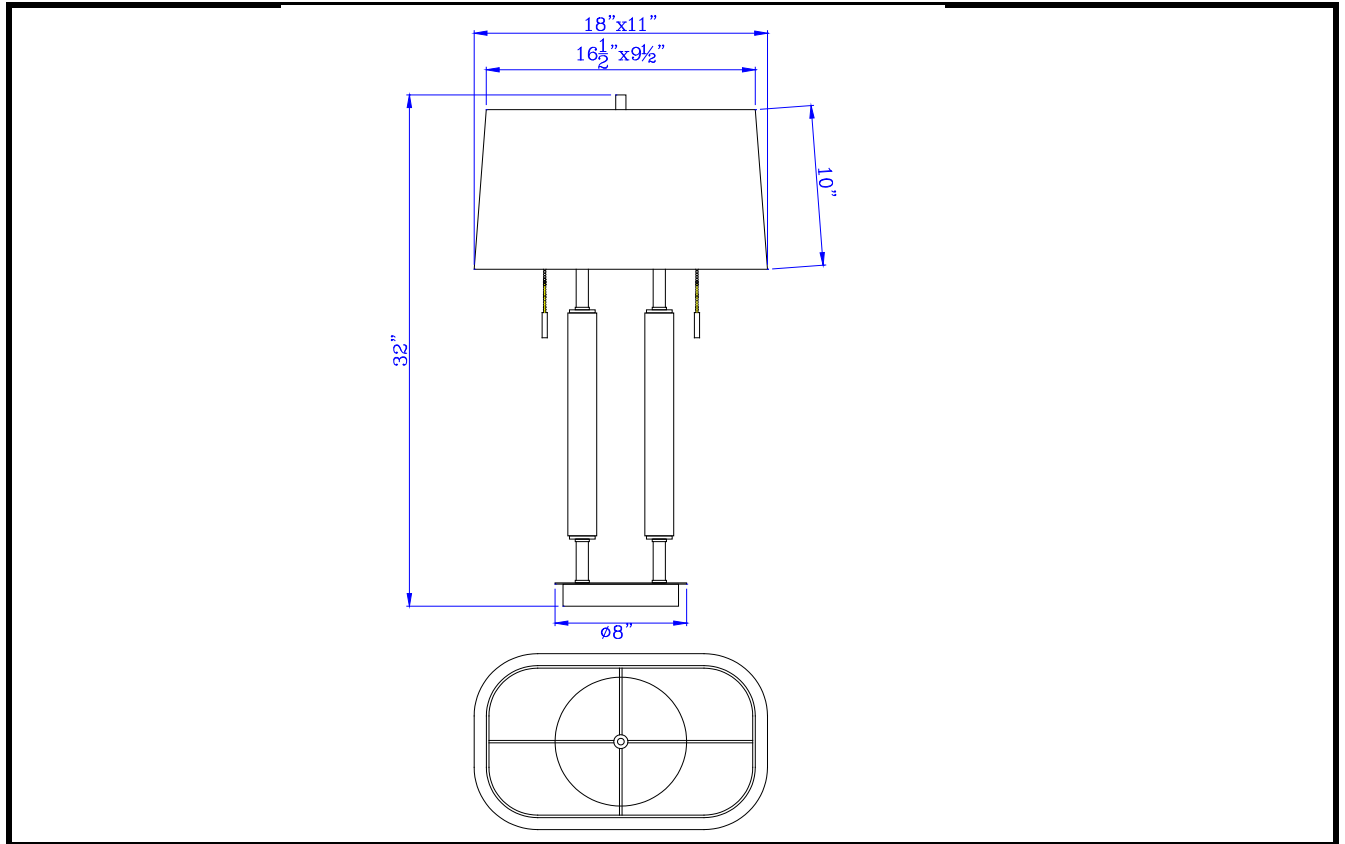




# CAL LIGHTING

3625 E. Philadelphia St. Ontario CA. 91761 • Tel: 909.947.5200 • Fax:  
909.947.5673 • www.calighting.com • service@calighting.com •  
Specifications subject to change without notice

Type: \_\_\_\_\_  
Project: \_\_\_\_\_  
Catalog No.: \_\_\_\_\_  
Lamp/Wattage: \_\_\_\_\_



**Model No:** BO-2893DK  
**Description:** Avellino metal/wood desk lamp with rectangular burlap shade and pull chain switch  
**Material:** Metal/Oak  
**Finish :** Antique Brass/Expresso  
**Height:** 32"  
**Reach/Depth:** 11"  
**Base Width:** Dia.8"  
**Wattage :** 60W x 2  
**Socket :** Medium Base (E26)  
**Switch:** On/OFF  
**Bulb:** Incandescent, CFL  
**Wire Length:** 6'  
**Wire Color:** Gold  
**Shade No:**  
**Material:** Fabric  
**Shade size:** 9 1/2"X16 1/2"X 11"X18"X10"

**Certificate :**

