

C46100AG/BK/CH

INSTALLATION INSTRUCTIONS SHEET

START FROM HERE

- Make sure power is completely off at the fuse box.
- Have your fixture installed by a qualified licensed electrician
- Prepare everything in clear area.
- Wear gloves at all times during this installation.
- Read instructions carefully before you start assembly.
- Keep this instruction sheet for future reference.

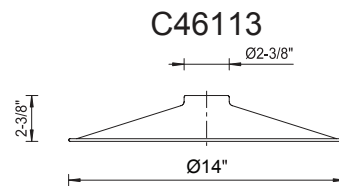
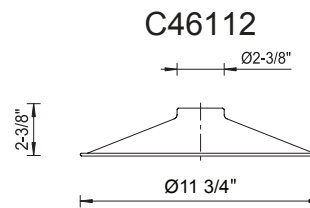
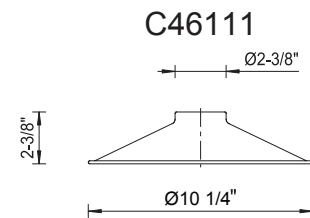
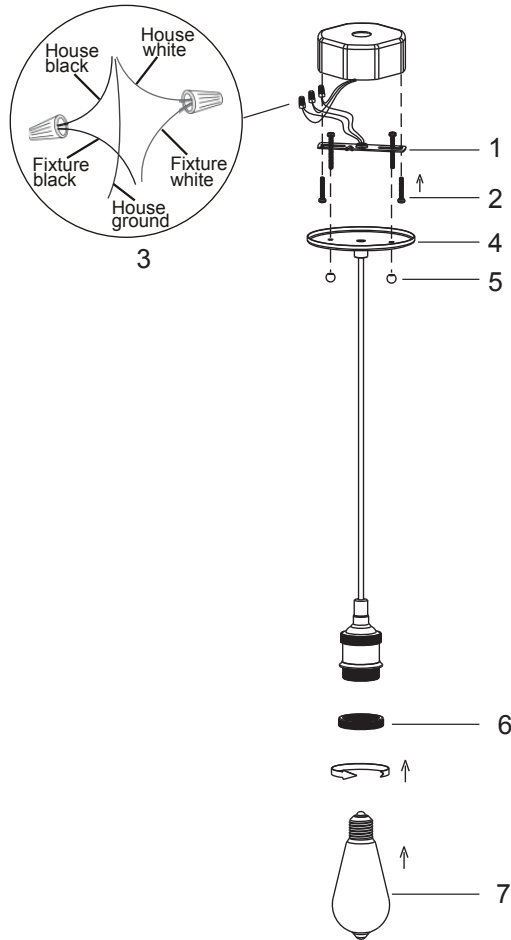
Technical Support: 1-844-628-8368

Please Note:

- All Matteo Lighting fixtures come with pre-wired module(s).
- Unless instructed to do so, please do not touch any part of the module(s) as any unnecessary contact with the module could cause permanent damage.

THIS LUMINAIRE MUST BE MOUNTED OR SUPPORTED INDEPENDENTLY OF AN OUTLET BOX

CE LUMINAIRE NE DOIT PAS ÊTRE MONTÉ SUR UNE BOÎTE DE SORTIE NI SUPPORTÉ PAR UNE TELLE BOÎTE



INSTRUCTIONS:

- Ensure main supply is switched off.
- Fit crossbar (1) onto outlet box with self-tapping screws (2).
- Connect wires (3) according to colour (White to White, Black to Black). Connect all earth lug together onto the crossbar with green screw to tight.
- Fit ceiling plate (4) onto crossbar with nuts (5).
- Fit the shade ring (6).
- Install lamp (7).
- Reconnect power

WARNING:

- This fitting must be earthed.
- Disconnect power and allow fitting to cool down before cleaning or changing the lamp.