



# CAL LIGHTING

3625 E. Philadelphia St. Ontario CA. 91761 • Tel: 909.947.5200 • Fax:  
909.947.5673 • www.calighting.com • service@calighting.com •  
Specifications subject to change without notice

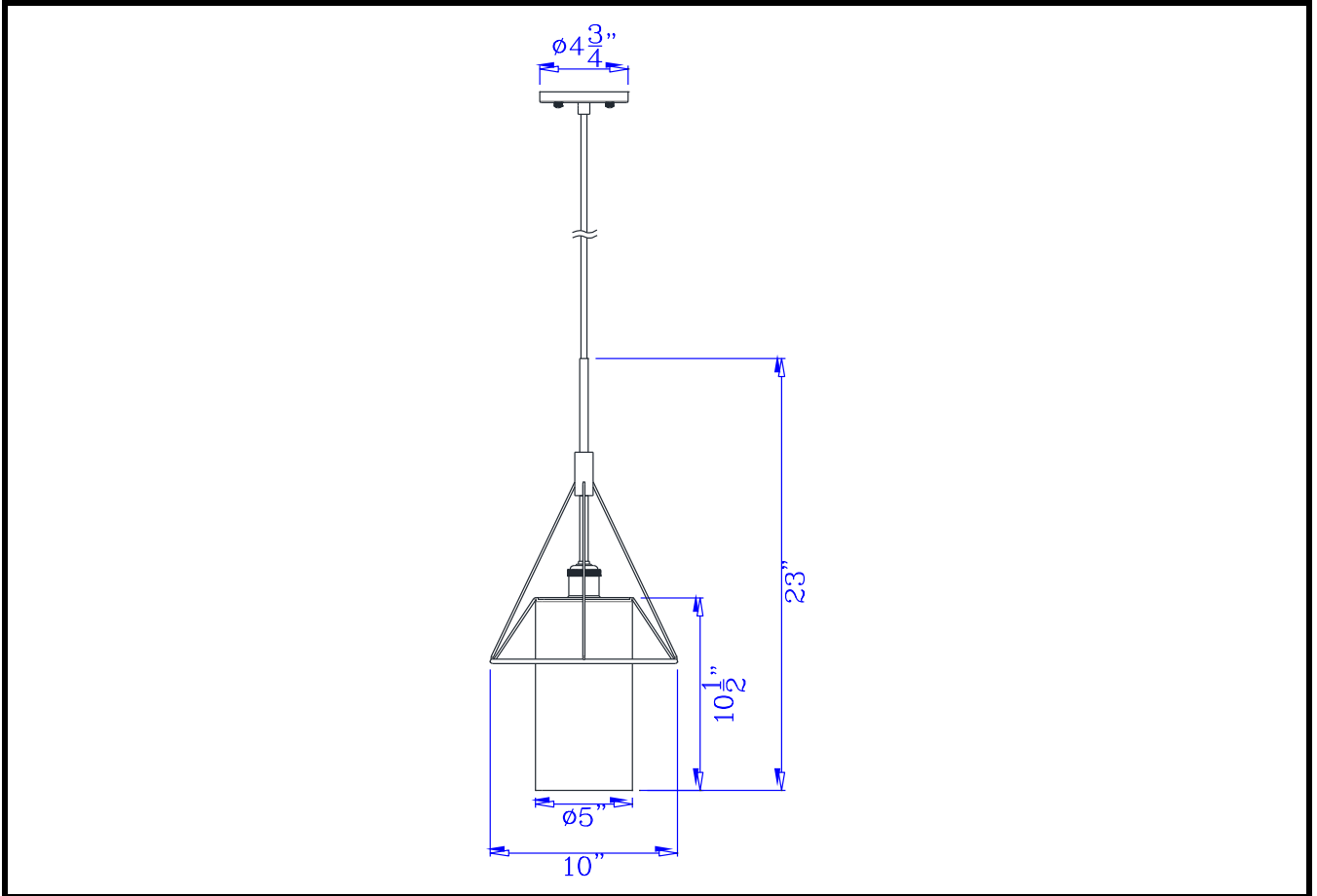
Type: \_\_\_\_\_

Project: \_\_\_\_\_

Catalog No.: \_\_\_\_\_

Lamp/Wattage: \_\_\_\_\_

## Drawing:



- Model No:** FX-3653-1
- Description:** 60W Rexburg metal glass mini pendant
- Material:** Metal
- Finish :** Black/Antiqued Brass
- Height:** 23"
- Width:** 10"
- Reach:** 10"
- Wattage :** 60W
- Socket :** Medium Base (E26)
- Bulb:** Incandescent
- Chain Length:**
- Wire Length:** 6"
- Wire Color:** Black
- Shade No:**
- Material:** Glass
- Shade size:** 5"x5"x 10 1/2"
- Certificate :**

