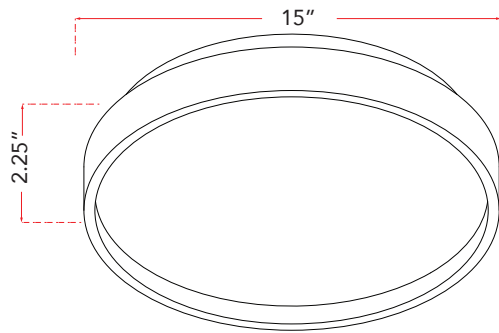




**ABRA MODEL** 30053FM-BL  
**FAMILY NAME** Tambourine

**15" Low Profile Flushmount with Soft Uplight**  
**UPC** 00810035192157



**FIXTURE MATERIAL**

Frame Material	Finishes Available	Diffuser Type	Diffuser Finish
Acrylic	BL-Black WH-White	Acrylic	Frosted

**DIMENSIONS IN INCHES**

Fixture			Mounting Plate
Diameter	Height	o.a.h	Diameter
15	2.25	5	10

**CERTIFICATION**

Label	Location	Rating
cETLus	Ceiling	Damp Location

**LAMPING**

Lamp Type	Lamp qty	Wattage	Max Wattage	Base	Kelvin	CRI	Initial Lumen's	Delivered Lumen's	Voltage
LED	1	30w	30w	Module	3000k	90	2550	1785 estimated	120v

**COMPATIBLE DIMMER'S**

CL, ELV
---------

**J-BOX TYPE**

4 x 4 Octagonal
-----------------

**SUPPLIED**

--

**SPECIAL NOTES**

--

**Project Name**

**Date**

**Type**