

# MOE'S

home collection

## ASSEMBLY INSTRUCTIONS.

CORONATAE PENDANT LAMP LARGE

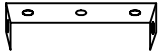

**BZ-1117-32**







THANK YOU FOR YOUR PURCHASE!

## PARTS & HARDWARE.

### PART LIST

NO.	DESCRIPTION	IMAGE	Qty
A.	METAL CLIP		1
B.	LEMP RING		1

### HARDWARE LIST

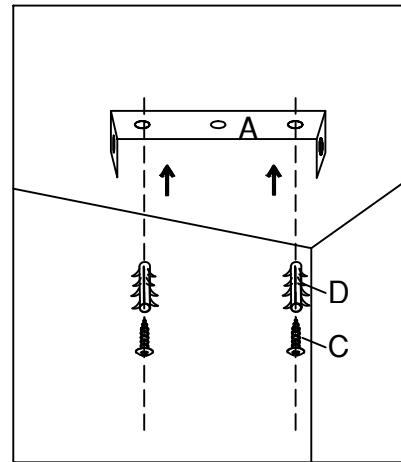
C.	Plus Screw 4 x 30mm		2
D.	Plastic Dowel 6 x 35mm		2
E.	Machine Screw 5 x 10mm		1
F.	Screw Driver		1

### NOTES.

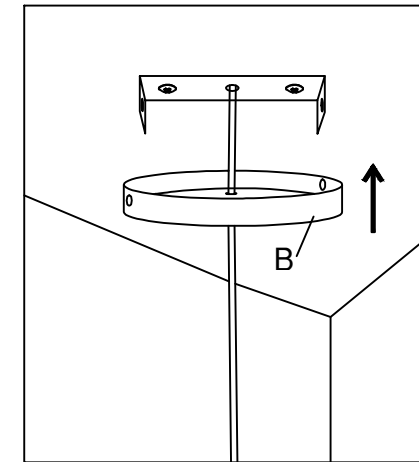
Thank you for purchasing this quality product!  
Be sure to check all packing material carefully  
for small part that May have come loose inside  
the carton during shipping.

**CAUTION:** The Item is heavy, assembly  
should be performed by two people.

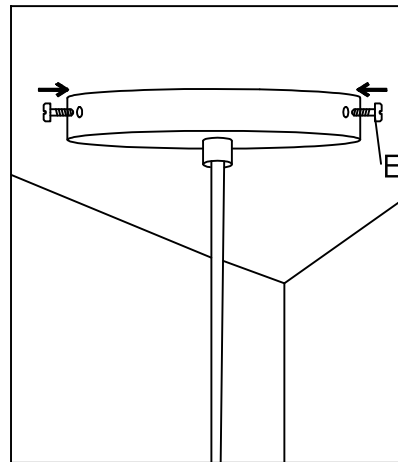
### STEP 1.



### STEP 2.



### STEP 3.



### STEP 4.

