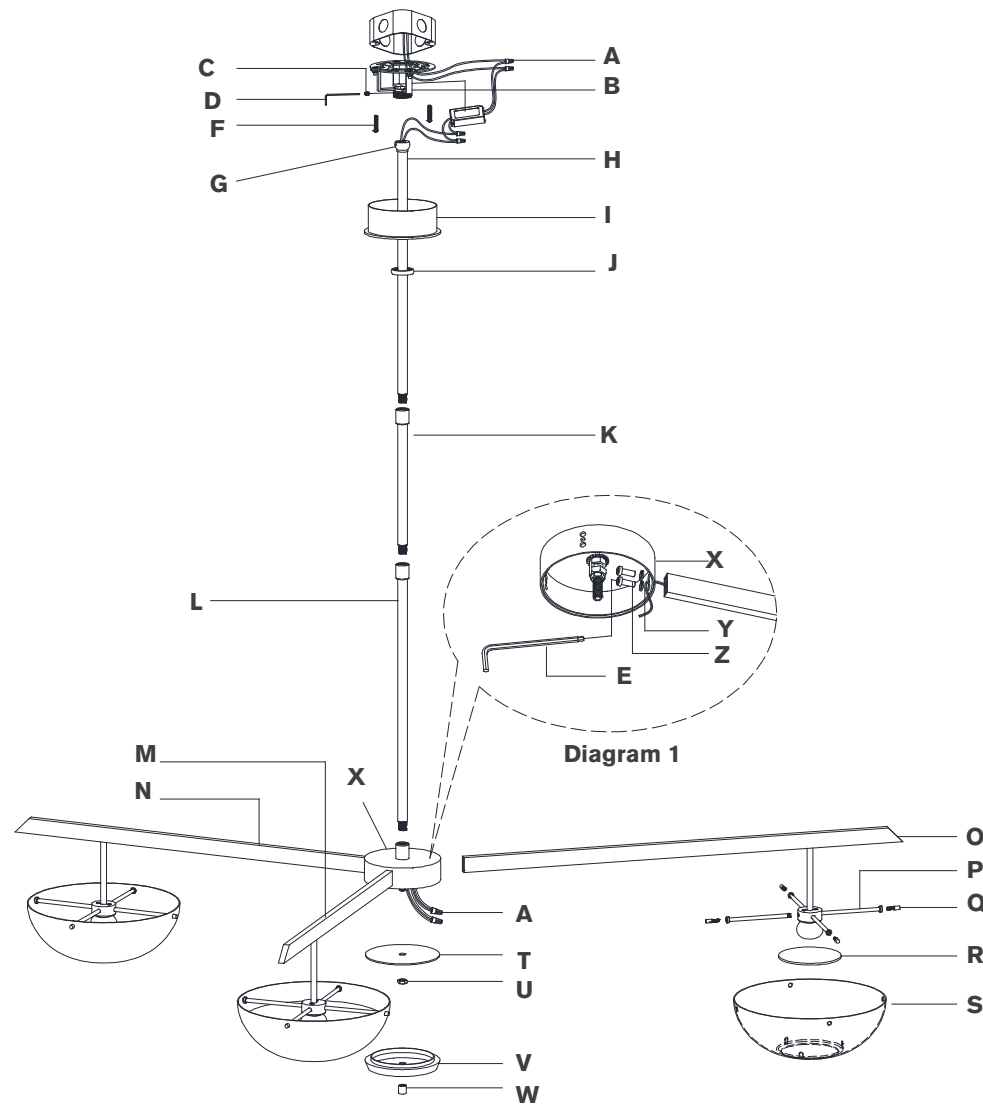


ASSEMBLY INSTRUCTIONS



Valencia Extra Large Three Light Chandelier

Item # ARN5520

NOTICE:

This light fixture should be installed in accordance with all applicable, local installation codes, and by a person familiar with the construction and operation of it, as well as the hazards involved. Inspect item and contents carefully. If any damage or defect is found, do not install. Retain all packaging material until installation is complete and approved.

TOOLS REQUIRED (NOT INCLUDED):

Phillips Screwdriver	Slotted Screwdriver	Wire Cutters
Wire Strippers	Slip-joint pliers	

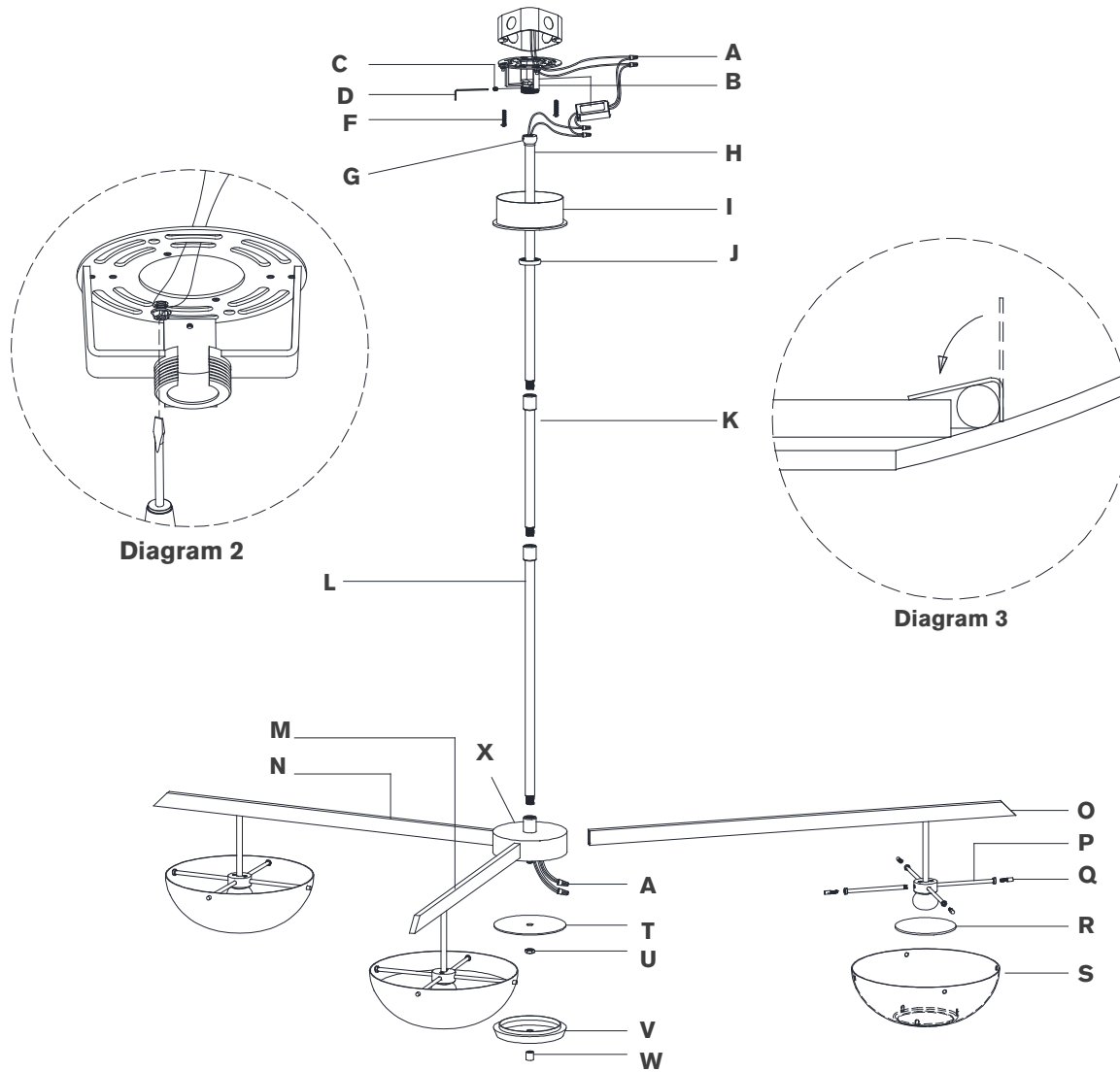
1. Carefully remove all parts from the box. Place on a clean, soft surface.
2. Remove mounting plate (B) from canopy (I) by removing collar ring (J).
3. Install mounting plate (B) to the junction box and secure with mounting screws (F).
4. Install fixture arms (M & N & O) to fixture hub (X) and secure with lock washer (Y) and screws (Z) using provided wrench (E). See diagram 1.
5. Connect arm neutral wires (black) to fixture neutral wire (black) and secure using wire nut (A).
6. Connect hot wires (red) to fixture hot wire (red) and secure using wire nut (A).
CAUTION: Do not reverse the hot and neutral connections.
7. Install metal plate (T) to hub (X) and secure with hex nut (U).
8. Install cap (V) to hub (X) and secure with final (W).
9. Feed electrical wires through bottom rod (L) and thread to connector on top of hub (X). Repeat for middle rod (K), connecting to bottom rod (L).
10. Continue feeding wires through collar ring (J), canopy (I), and top rod (H).
11. Holding fixture upright, slide collar ring (J) and canopy (I) down bottom rods (L) and rest on fixture. Then connect top rod (H) to middle rod (K).

NOTE: Slide components down slowly to avoid damages.

VISUAL COMFORT



ASSEMBLY INSTRUCTIONS



Valencia Extra Large Three Light Chandelier

Item # ARN5520

NOTICE:

This light fixture should be installed in accordance with all applicable, local installation codes, and by a person familiar with the construction and operation of it, as well as the hazards involved. Inspect item and contents carefully. If any damage or defect is found, do not install. Retain all packaging material until installation is complete and approved.

12. Hang fixture swivel ball (**G**) to the center of mounting plate (**B**) and secure with set screw (**C**) using provided screwdriver (**D**). See diagram 2.
13. Cut excess wires, being sure to leave enough to reach the junction box. Separate wires, and strip insulation on each 5/8".
14. Connect supply ground wire (usually green or bare copper) around the green grounding screw (see diagram 2). Tighten.
NOTE: It is imperative that the fixture is grounded.
15. Connect fixture neutral wire (black) to driver output wire (black) using wire nut (**A**).
16. Connect fixture hot wire (red) to driver output wire (red) using wire nut (**A**).
CAUTION: Do not reverse the hot and neutral connections.
17. Connect driver input neutral wire (white) to the supply neutral wire (usually white) using wire nut (**A**).
18. Connect driver input hot wire (black) to the supply hot wire (usually black) using wire nut (**A**).
CAUTION: Do not reverse the hot and neutral connections.
19. Make sure all wire connections are tight, then carefully tuck into the junction box.
20. Insert driver into the center of mounting plate (**B**).
21. Install canopy (**I**) to mounting plate (**B**) and secure with collar ring (**J**).
22. Thread rods (**P**) to fixture .

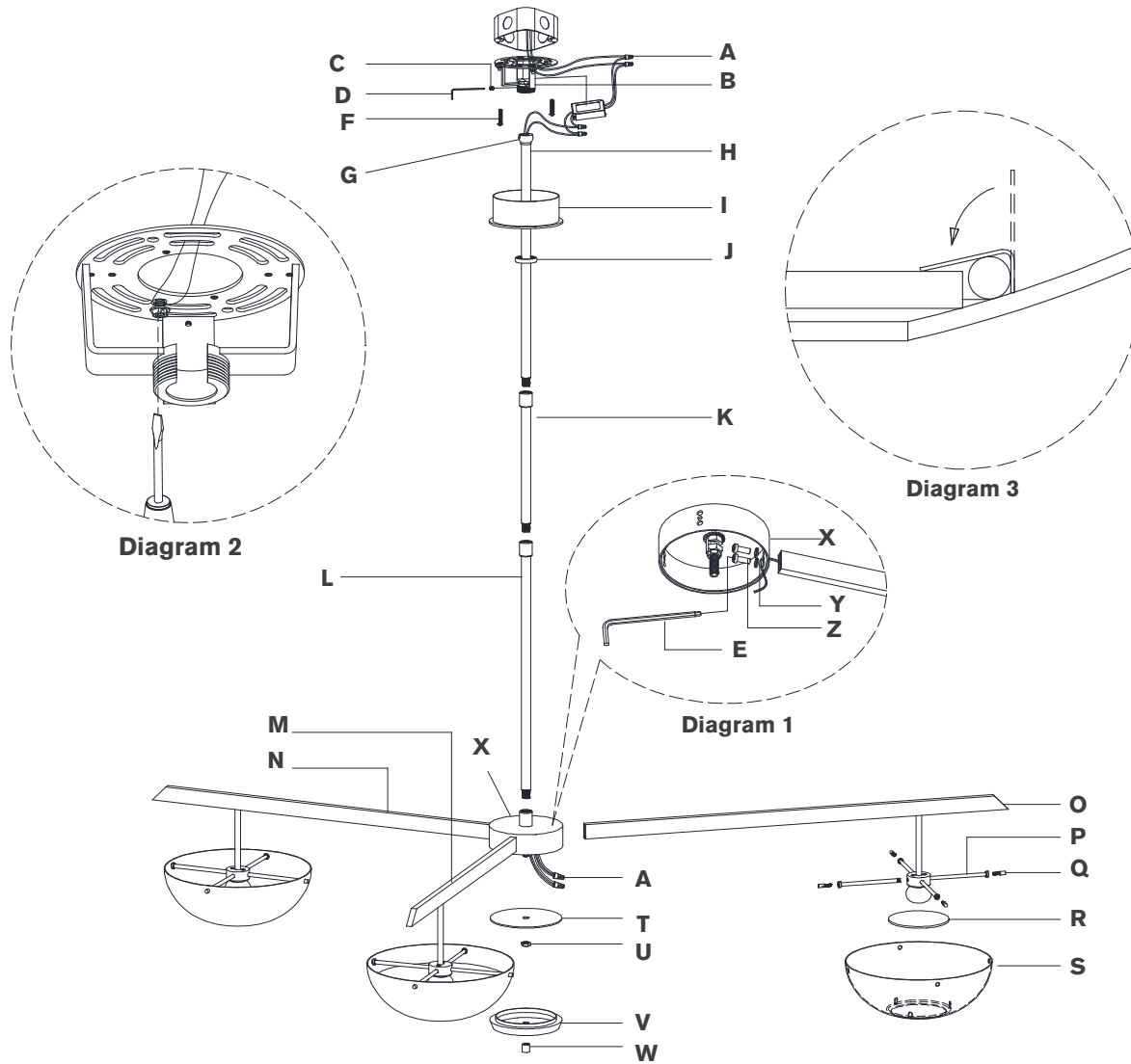
ASSEMBLY INSTRUCTIONS

Valencia Extra Large Three Light Chandelier

Item # ARN5520

NOTICE:

This light fixture should be installed in accordance with all applicable, local installation codes, and by a person familiar with the construction and operation of it, as well as the hazards involved. Inspect item and contents carefully. If any damage or defect is found, do not install. Retain all packaging material until installation is complete and approved.



23. Place glass **(R)** inside bowl **(S)** and secure by bending metal tabs. See diagram 3.
24. Remove thumbscrews **(Q)** from rods **(P)**, then line up holes from bowl **(S)** to rods **(P)** and secure with thumbscrews **(Q)**. Repeat with remaining parts.

Care Instructions: Clean only with a soft dry cloth or feather duster. Do not use abrasive or chemical agents.