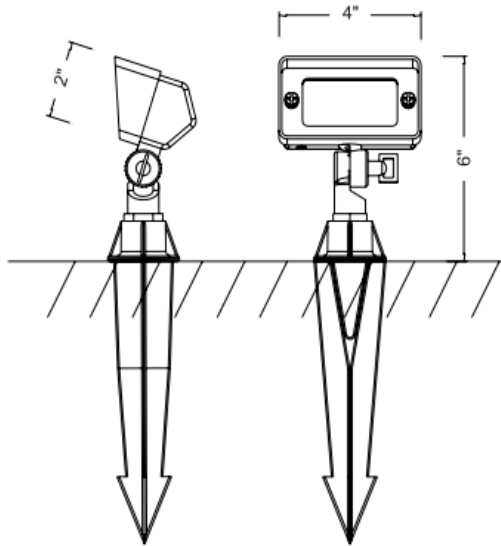
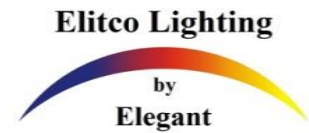


C046
OUTDOOR LANDSCAPE LIGHTING
FLOOD LIGHT



PRODUCT DESCRIPTION

Die Casting brass floodlight includes spike and 3' of wire.

SPECIFICATIONS:

Material: Die-Casting Brass

Lead wire: 3' SPT-1W 18A

Glass or Lens: Square Frosted Glass

Light source(not included): G4 Bulb

Maximum Lamp Rating: 35W

FINISHES: Antique Brass

INSTALLATION:

Hammer the spike into ground. Clear away area in ground at wire way slot in top of spike. Lay 12V cable into wire way slot and screw luminaire into spike. Loose the Hood screw and Pull the Hood out. Install the G4 bulb into the socket. And then install the hood back to the body. Loose the knob to get desired angle, then tighten the knob.

DIMENSIONS: W4" X H6"

LABELS:N/A