

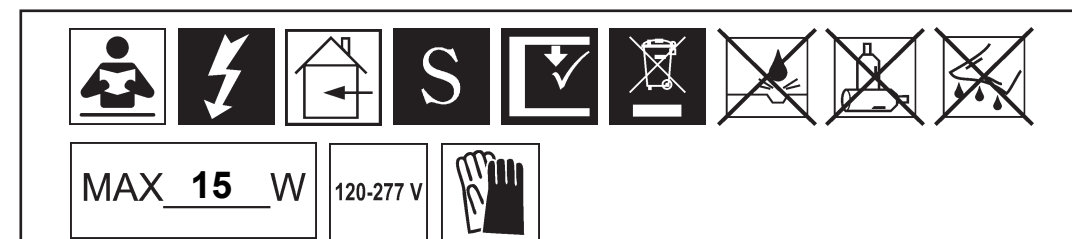
FOREVER
SCHONBEK

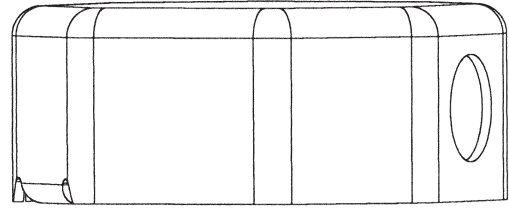
Revere
SJ7922- __ __ R



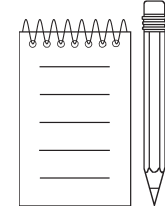
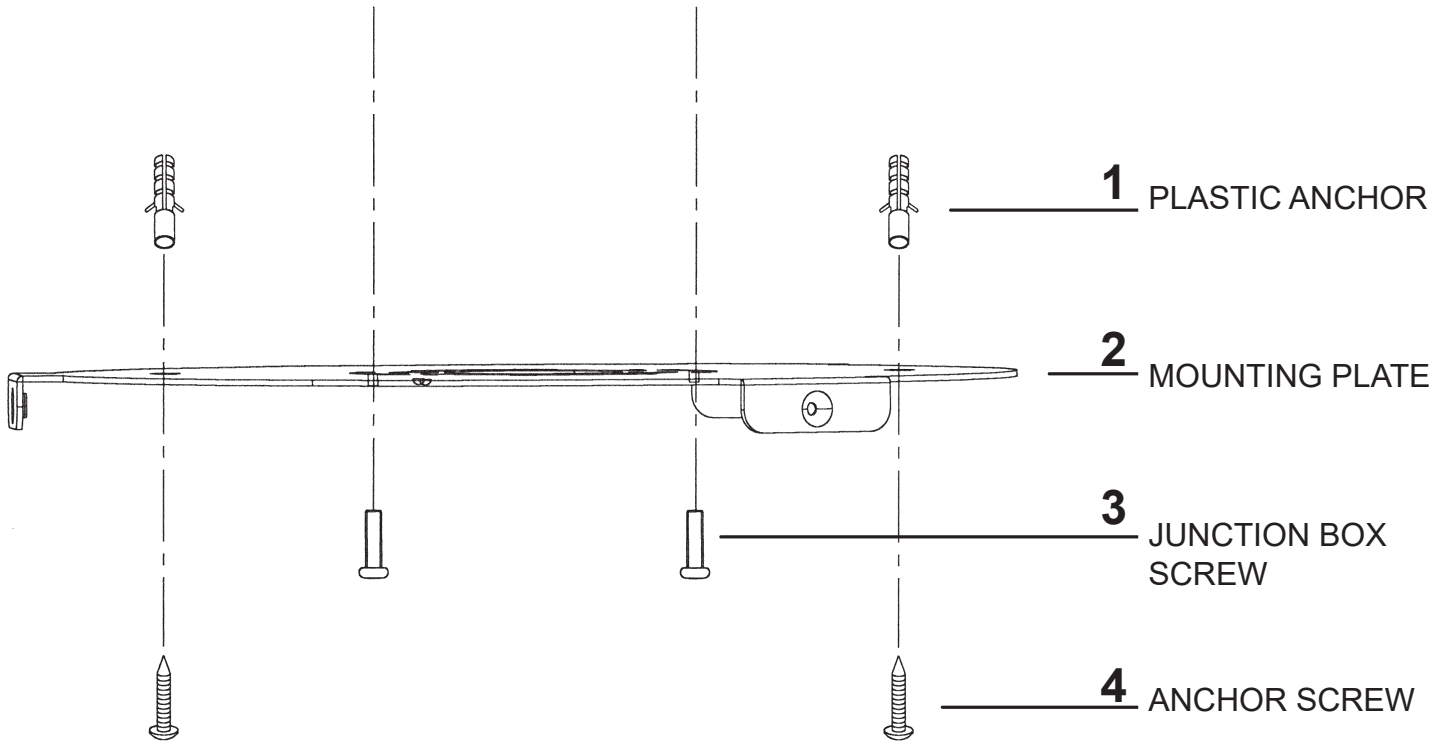
THIS DESIGN IS THE PROPRIETARY
TRADE DRESS/TRADemark OF
W SCHONBEK LLC.

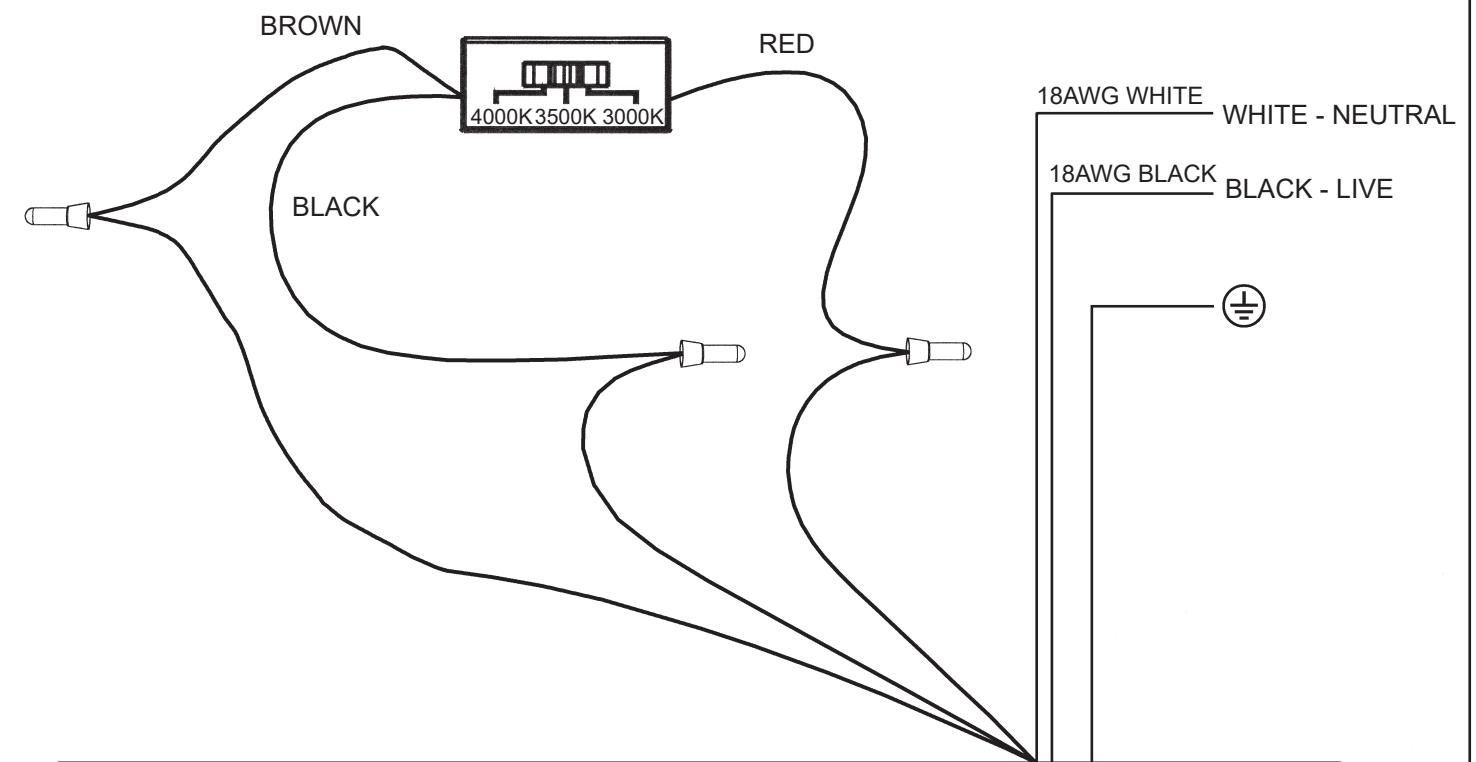
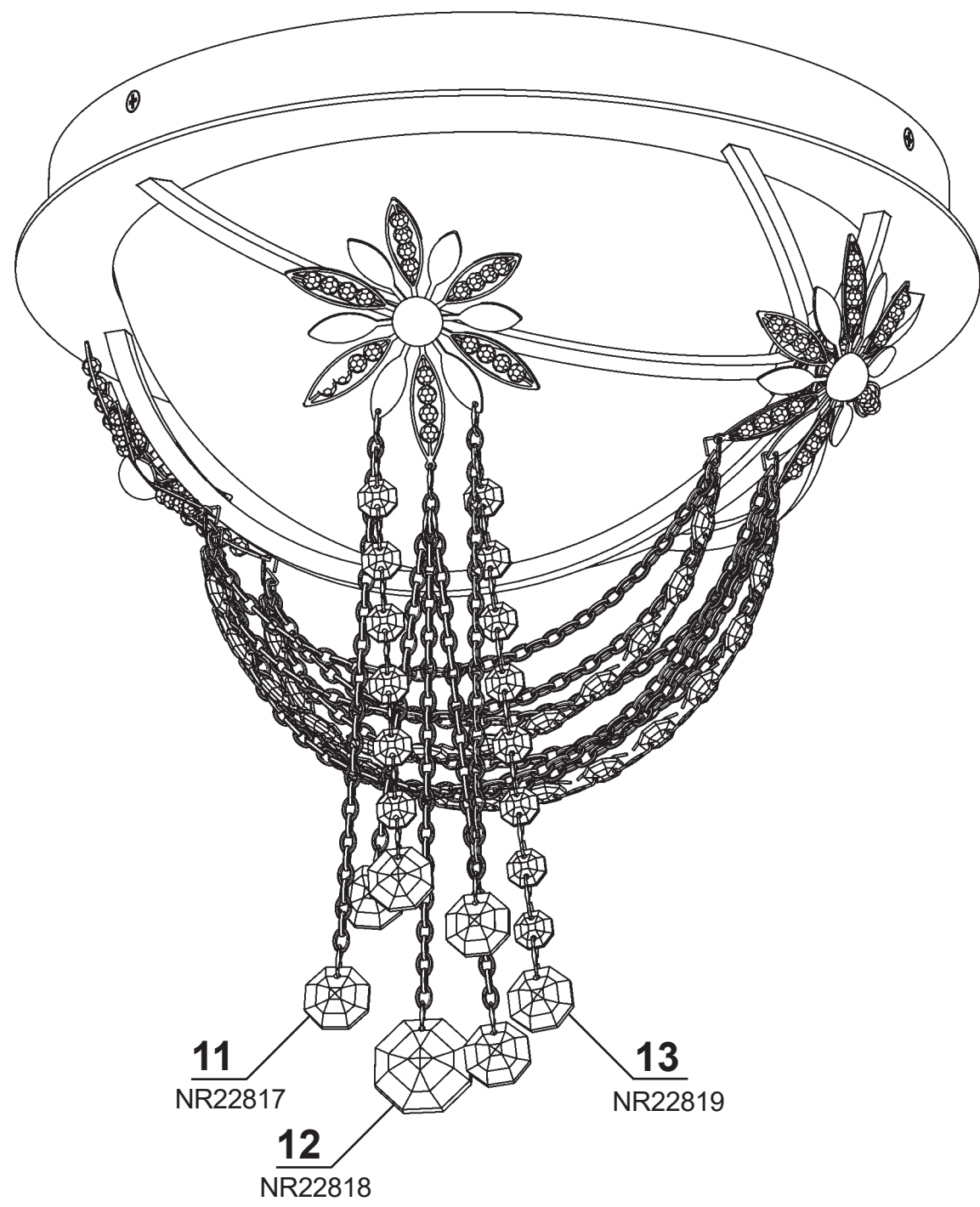
FOREVER
SCHONBEK





JUNCTION BOX





MODULE AND HEAT SINK PLATE ASSEMBLY

