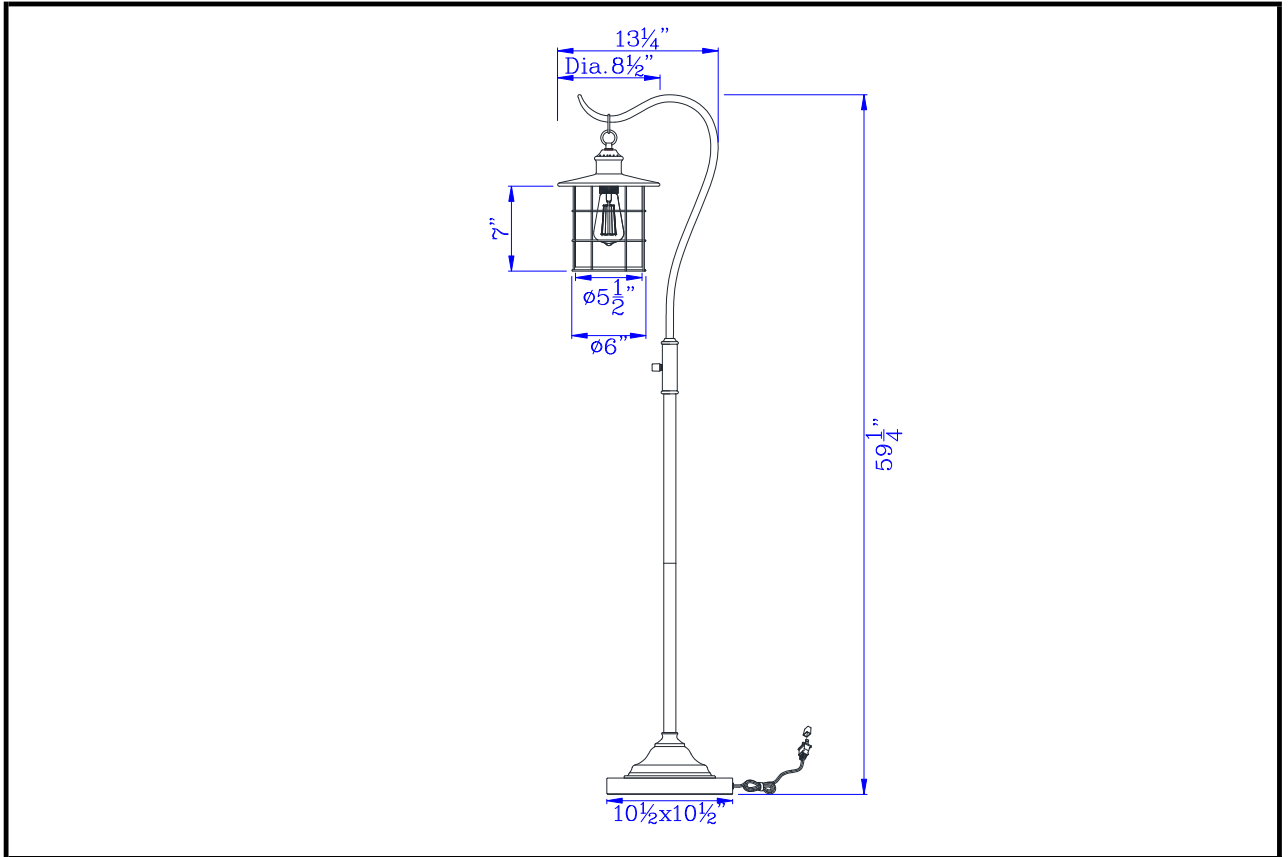




CAL LIGHTING

3625 E. Philadelphia St. Ontario CA. 91761. Tel: 909.947.5200. Fax:
909.947.5673. www.calighting.com. service@calighting.com.
Specifications subject to change without notice

Type: _____
Project: _____
Catalog No.: **BO-2668FL-BAB**
Lamp/Wattage: _____



Model No: BO-2668FL-BAB

Description: 60W Silverton metal floor lamp with clear glass shade Edison Bulb included

Material: Metal

Finish : Brushed Antique Brass

Height: 59 1/4"

Reach: 13 1/4"

Base Width: 10 1/2"x 10 1/2"

Wattage : 60W

Socket : Medium Base

Switch: On/off Rotary

Bulb: Edison Bulb

Wire Length: 6'

Wire Color: Black

Shade No:

Material: Glass/Mesh

Shade size: 6"x6"x7"

Certificate : 