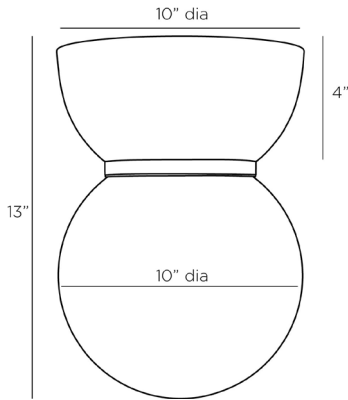


ARTERIOS

BRYN FLUSH MOUNT



DFC09
H: 13 IN, Dia: 10.00 IN
Matte Swirl
Contract Suitable As Is

Matte swirl glass lends a lively effect to our spherical flush mount. Anchored by a tapered mount with an English bronze steel band accent, it resembles an upside-down snow globe. Damp-rated, although limited covered outdoor conditions may affect finish. Finish will vary.

APPEARANCE

Material	Glass, Steel
Finish	English Bronze
Finish Will Vary	true
Top Coat/Sealant	true

DIMENSIONS

Canopy	H: 4 IN, Dia: 10.00 IN
--------	------------------------

WIRING

Rating	Damp
Suggested Bulb Type	G25
Cord	0.5 FT, Black/White, SVT
Socket	1, Type A - E26
Photographed Bulb	3" Frosted Globe Bulb
Maximum Watt	60
Voltage	110-120 V

CERTIFICATIONS

Certifications	Mexico Australia, European Union, United Arab Emirates, United States, Canada
----------------	--

COMPLIANCY

UL/ETL	Yes
CB	Yes
RoHS	true

SHIPPING

Product Weight	13.7 LBS
Gross Weight 1	16.9 LBS
Shipping Box 1	H: 18.7 IN, L: 23.4 IN, W: 14.3 IN

ADDITIONAL INFO

Features	Sustainable
----------	-------------

CONTRACT

Contract Suitable	true
-------------------	------