

CRYSTORAMA

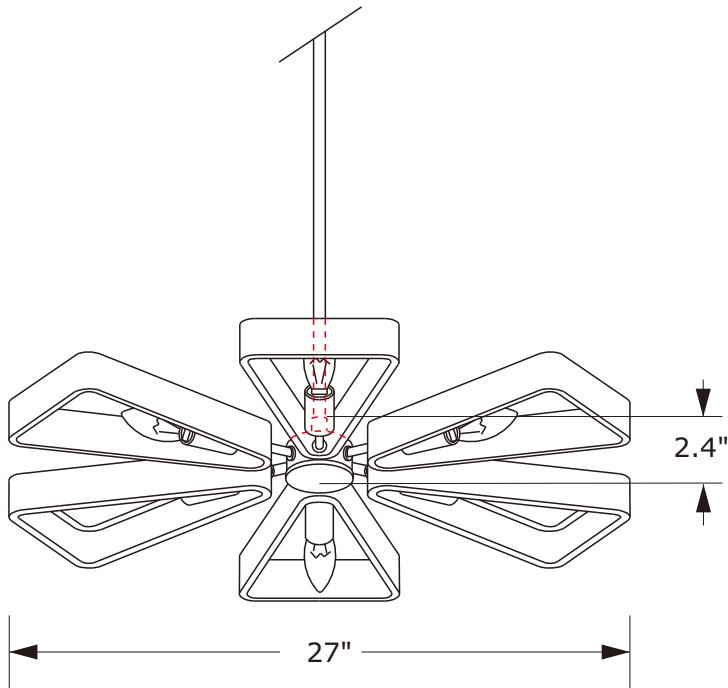
LIGHTING THE WAY FOR SIXTY YEARS



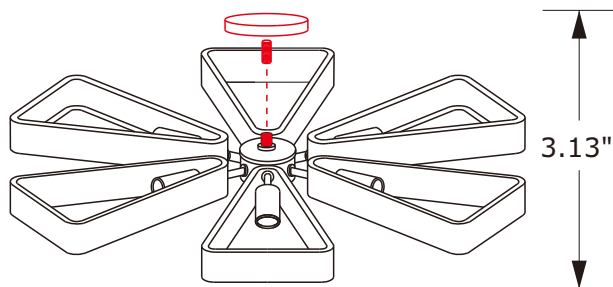
Crystorama.com

ASSEMBLY INSTRUCTION MODEL #596-EB-GA

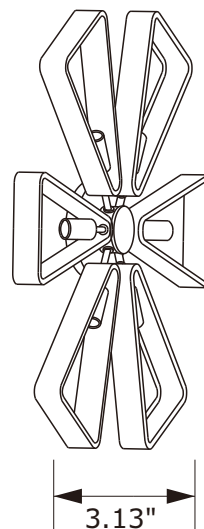
CHANDELIER



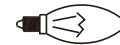
CEILING MOUNT



WALL MOUNT



All electrical components must be installed by a licensed electrician in accordance with the National Electric Code and the appropriate local electrical codes.



You will need 6 - Candelabra Base Bulb
40 Watts Recommended 60 Watts Max.

USE LED BULBS FOR EXTENDED USE

THIS FIXTURE IS DAMP RATED

How to Install

1. Feed wires through hanging stems/swivel/canopy.
2. Screw all hanging stems together and attach one end onto the wiring house, another end onto the swivel, then attach the swivel onto the canopy.
3. Insert recommended bulb (not included).

WARNING: This product can expose you to Lead, which is known to the State of California to cause cancer and/or birth defects or reproductive harm. For more information go to www.P65Warnings.ca.gov.

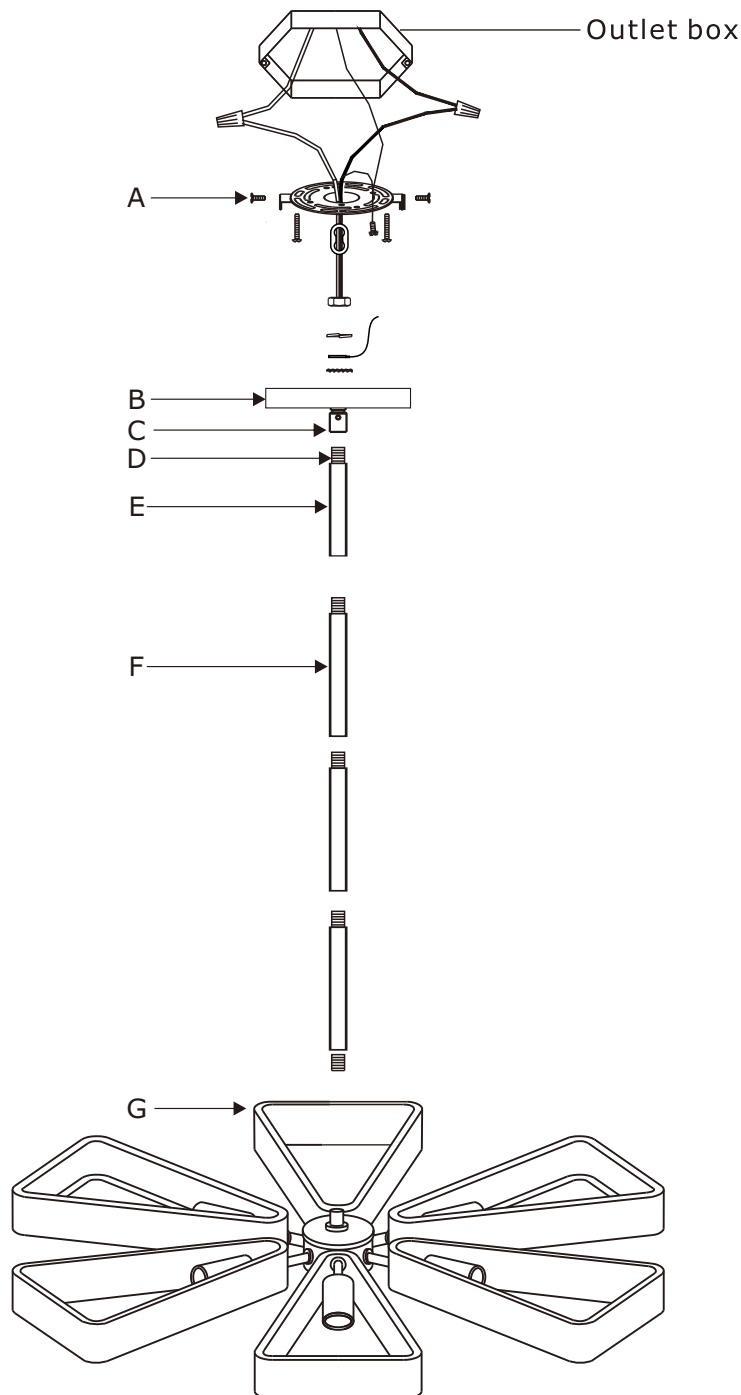
CRYSTORAMA

LIGHTING THE WAY FOR SIXTY YEARS



Crystorama.com

PART NUMBER MODEL #596-EB-GA



Part Number

- A. (1) - Mounting Hardware
- B. (1) - Canopy(W4.73", H0.79")#XRE596EBGACAN4.73IN
- C. (1) - Swivel
- D. (5) - Threaded Pipe
- E. (1) - Hanging Stem(6", 15.9mm)#XRE596EBGAROD6IN
- F. (1) - Hanging Stem(12", 15.9mm)#XRE596EBGAROD12IN
- G. (1) - Metal Frame