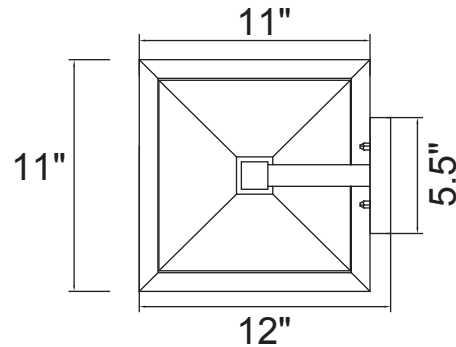
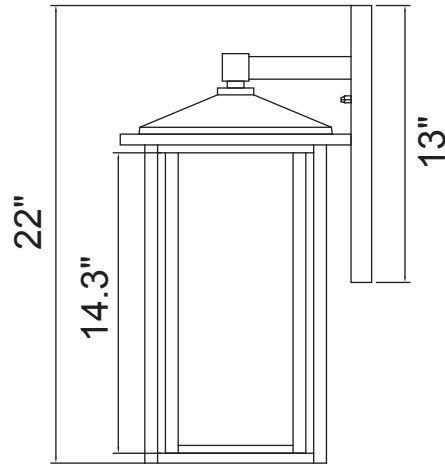




PROJECT: \_\_\_\_\_  
 FIXTURE TYPE: \_\_\_\_\_  
 LOCATION: \_\_\_\_\_  
 CONTACT/PHONE: \_\_\_\_\_



Item	0417W11-1-101	Shade Color	-----	Lumens	-----
Collection	CRAWFORD	Min Assembled Height	22"	Light Source	E26
Category	Outdoor Wall Light	Max Assembled Height	22"	Bulb Info.	1×60W
Finish	Black	Width	11"	Included	-----
Glass	Clear	Length	-----	Dimmable	Yes
Crystal	-----	Extension Wall Mounts	12"	Colour Temp	-----
Acrylic	-----	Input	120V AC,60HZ,AC	Weight	11.68 Lbs

CWI Lighting  
 2775 Broadway  
 Buffalo, NY 14227  
 USA

CWI Lighting  
 140 Steelcase Rd. W.  
 Markham ON. L3R 3J9  
 Canada

Dallas Showroom  
 Showroom #: 4707  
 2100 N. Stemmons Frwy.  
 Dallas, TX 75207

Email: [info@cwilighting.com](mailto:info@cwilighting.com)  
 Toll: 1-877-564-6034  
[www.cwilighting.com](http://www.cwilighting.com)

