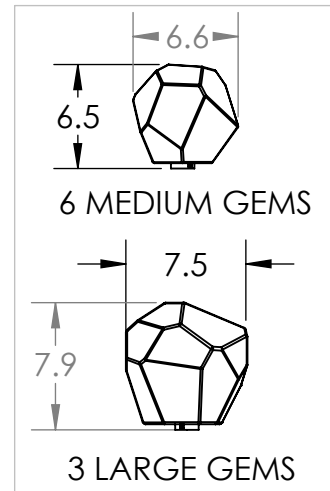
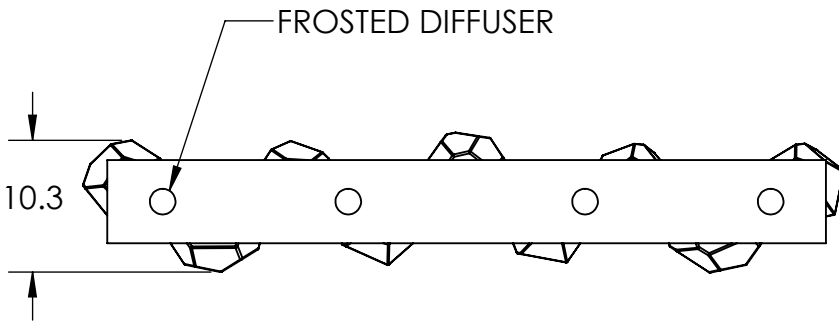
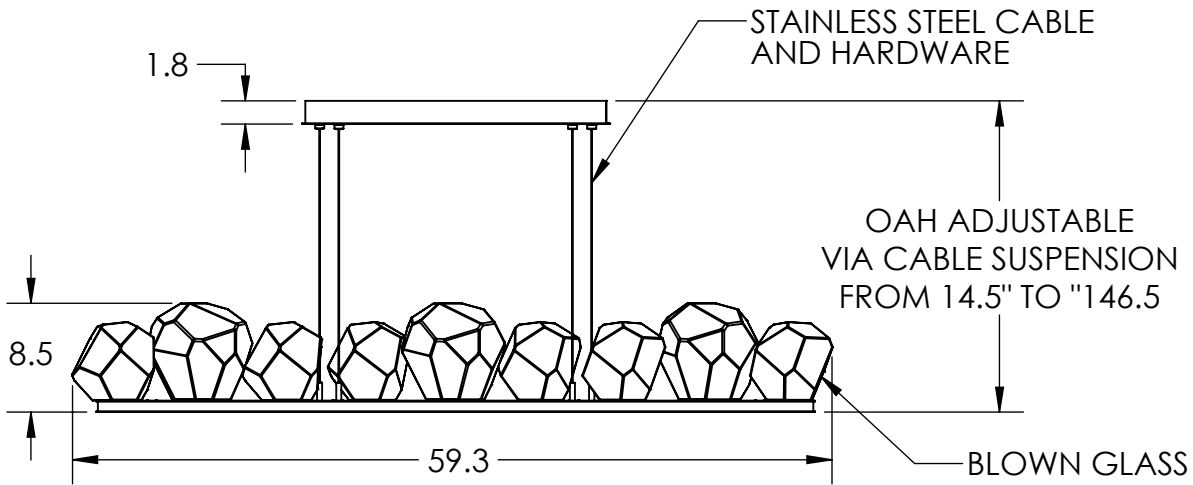
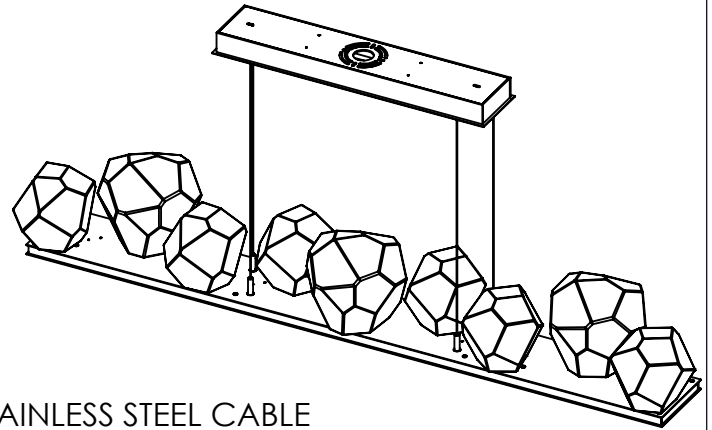


Collection: GEM

Product #: PLB0039-0C

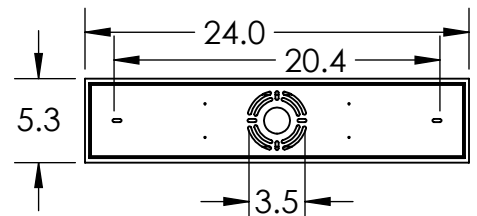


Visit hammertonstudio.com for product options and specifications.

3/24/2022 (A)

Mounting Packet: X	Weight(lbs.): 55	Electrical Type: LED	CCT: 2700 K
UL Location: DRY		Elec. Qty: 13	Wattage: 37
Finish: SEE WEB SITE FOR OPTIONS		Source Lumens: Up: 1170	Down: 1370
Top Diffuser: CLOSED GLASS		Forward/Reverse Phase Dimmable To 1%	
Bottom Diffuser: FROSTED GLASS		CRI: 90+	Power Factor: >0.9

Mounting Detail



MOUNTS TO BUILDING STRUCTURE

All fixtures created by Hammerton are handcrafted by artisans. Dimensions may vary up to 7/8".
 © Copyright 2022. All rights in design, detail or invention of this drawing are reserved as the property of Hammerton. Any imitation or adaptation without written consent is strictly prohibited.