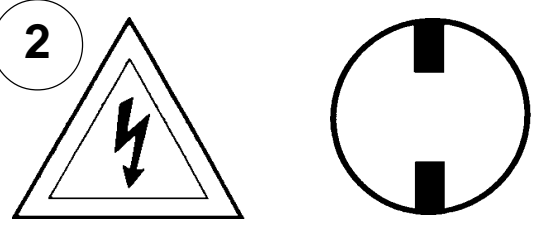


Instructions for electrician STEPS 2 - 18

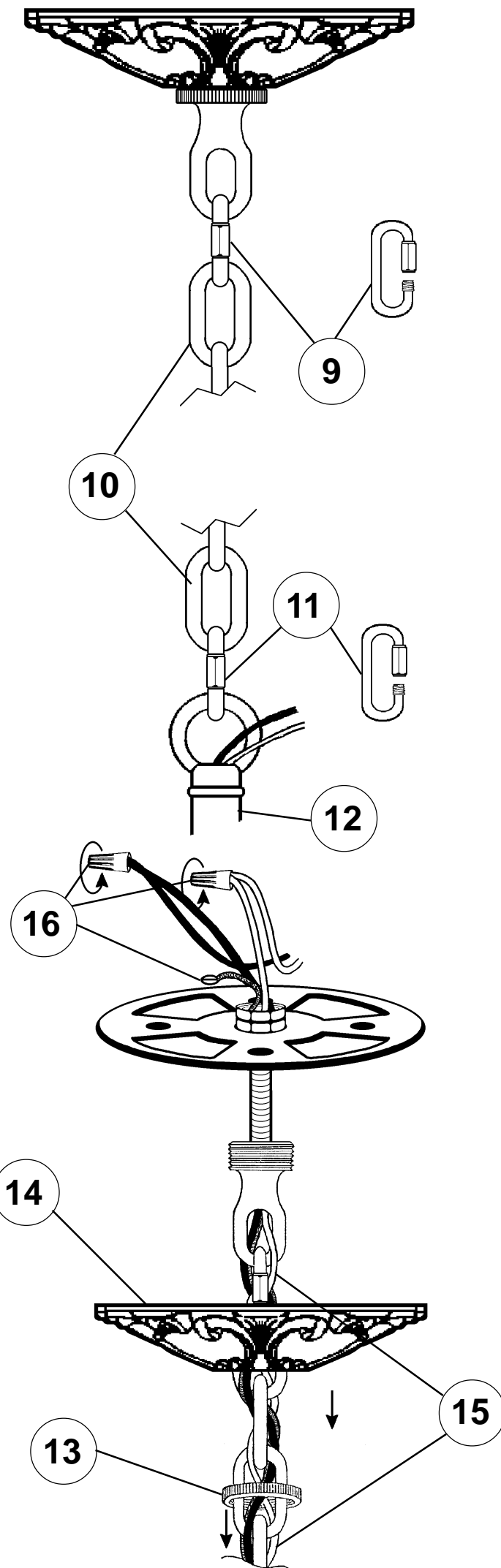
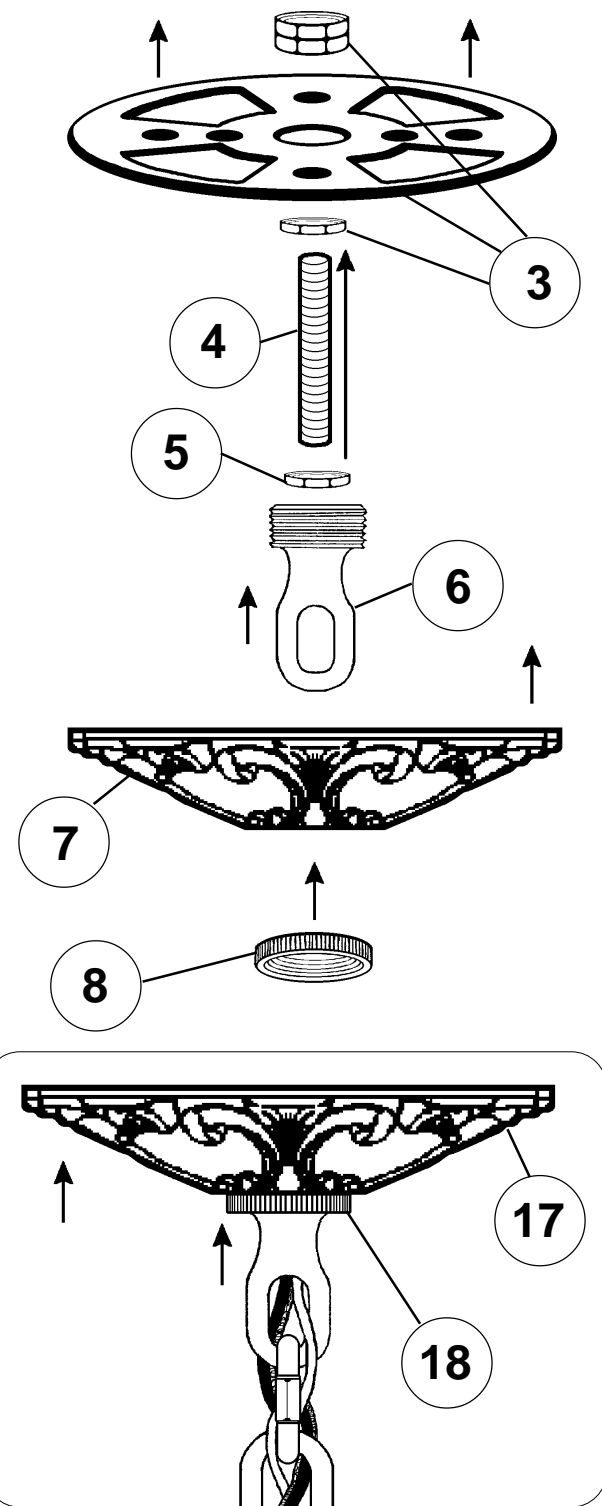
WARNING: THIS LUMINAIRE MUST BE MOUNTED OR SUPPORTED INDEPENDENTLY OF AN OUTLET BOX.

WARNING:



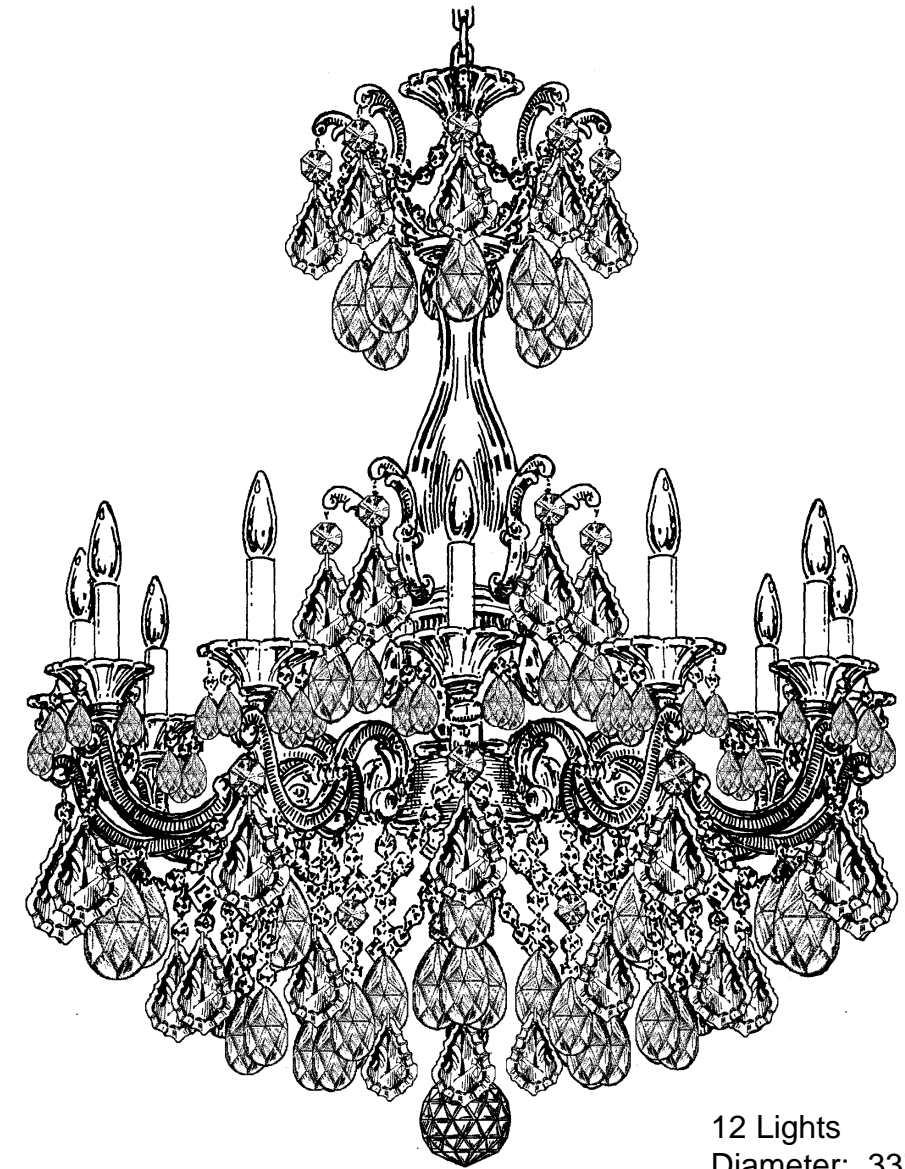
Electrical Danger Turn Power Off

All electrical components must be installed by a licensed electrician in accordance with the National Electric Code and the appropriate local electrical codes.



CHANDELIER 5011- ___ ___A TRIM DIAGRAM

(Finish Option)



THIS DESIGN IS THE PROPRIETARY TRADE DRESS/TRADE MARK OF SCHONBEK WORLDWIDE LIGHTING INC.

12 Lights
Diameter: 33"
Body Length: 41"
Hanging Weight: 68 lbs.

SCHONBEK®

See diagram on back page
Follow steps in exact order
Save this trim diagram for future reference

1

IMPORTANT

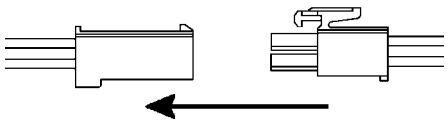
Person who opens carton should record the following information for future service.

CODE # _____ Four-digit number on outside of carton.
PACKER # _____ See crystal package label.
ORDER # _____ See crystal package label.

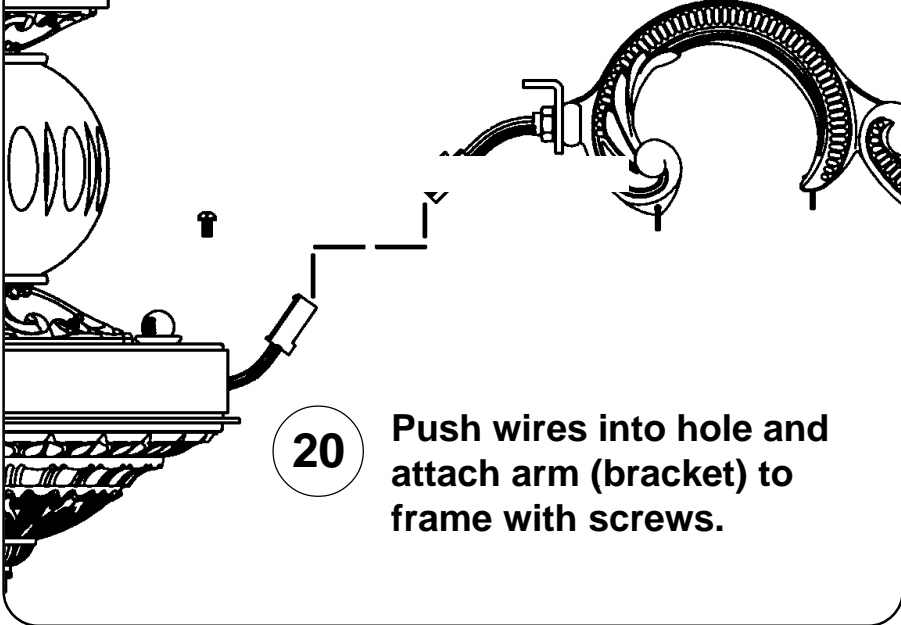
SCHONBEK IS A WORLD LEADER IN CHANDELIER DESIGN. PATENTS INCLUDE:
#D5,460,269 & #D5,873,652

Instructions for crystal trimming
STEPS 19 - 37

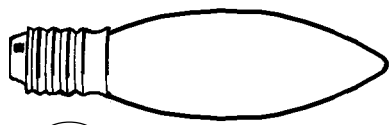
19 Connect plug-in connectors:



20 Push wires into hole and attach arm (bracket) to frame with screws.



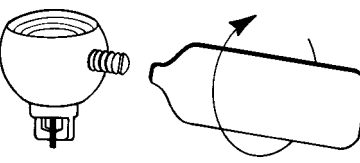
21



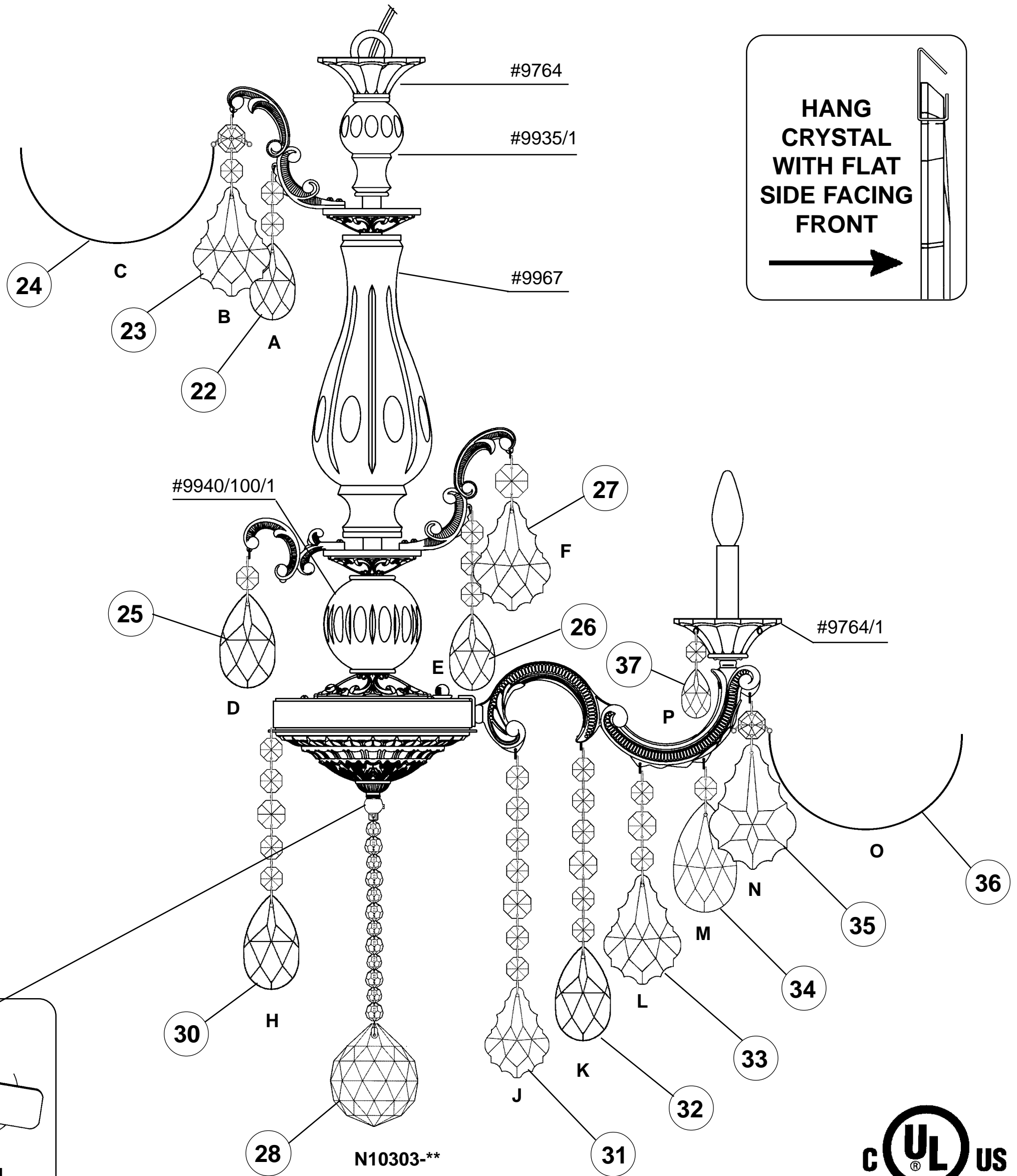
You will need 12 - C10
25 Watts Recommended
60 Watts Max

Install bulbs and be
sure to test fixture
BEFORE trimming.

29



Tighten With
Tool Provided.



**HANG
CRYSTAL
WITH FLAT
SIDE FACING
FRONT**

