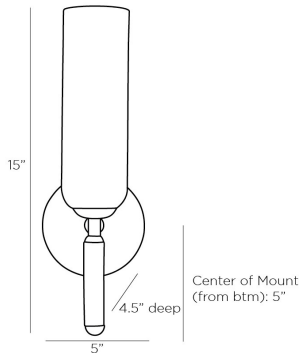


ARTERIOS

NORWALK SCNCE



49111
H: 15 IN, W: 5 IN, D: 4.5 IN
Antique Brass
Contract Suitable As Is

Exceptionally elegant, this sconce showcases a simple silhouette in a subtly unique design. An antique brass iron foundation presents an opal glass shade that houses a single light. A white alabaster post extends from the bottom of the shade for an unexpected element of glamour and style. Damp-rated, although limited covered outdoor areas may affect finish.

APPEARANCE

Material	Alabaster, Glass, Iron
Finish	Antique Brass, Opal, White
Top Coat/Sealant	true

DIMENSIONS

Center Of Mount From Btm	5 IN
Backplate	Dia: 5.00 IN, D: 1 IN
Mount	Dia: 4.50 IN

WIRING

Rating	Damp
Suggested Bulb Type	T6
Cord	1 FT, Black/White, SVT
Socket	1, Type B - E12
Photographed Bulb	Small Clear Tubular Bulb
Maximum Watt	60
Voltage	110-120 V

CERTIFICATIONS

Certifications	Mexico Australia, European Union, United Arab Emirates, United States, Canada
----------------	--

COMPLIANCY

UL/ETL	Yes
CB	Yes
RoHS	true

SHIPPING

Product Weight	2.2 LBS
Gross Weight 1	3.3 LBS
Shipping Box 1	H: 8.1 IN, L: 17.32 IN, W: 6.7 IN
Shipping Box 2	H: 0 IN, L: 0 IN, W: 0 IN
Shipping Box 3	H: 0

ADDITIONAL INFO

Hanging Orientation	Horizontal and Vertical
---------------------	-------------------------

REPLACEMENT PARTS

Replacement Part 1	49111GLS
--------------------	----------

CONTRACT

Contract Suitable	true
-------------------	------