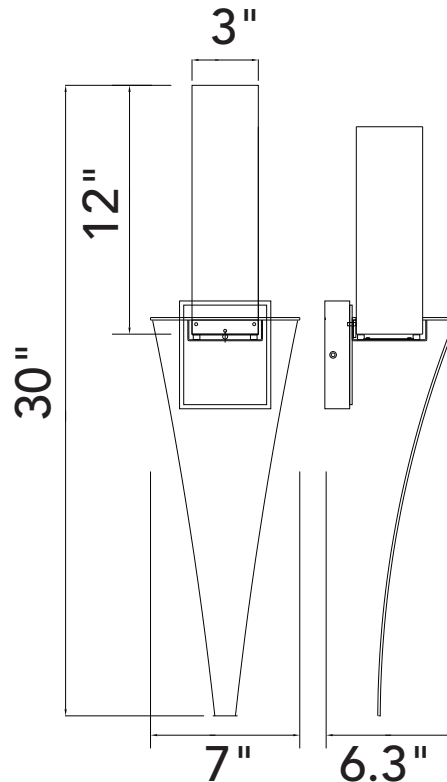




PROJECT: _____
 FIXTURE TYPE: _____
 LOCATION: _____
 CONTACT/PHONE: _____



Item	1502W7-1-101
Collection	CATANIA
Category	Wall Sconce
Finish	Black
Glass	-----
Crystal	Bubbled
Acrylic	-----

Shade Color	-----
Min Assembled Height	30"
Max Assembled Height	30"
Width	7"
Length	-----
Extension Wall Mounts	6.3"
Input	120V AC,60HZ,AC

Lumens	520
Light Source	LED
Bulb Info.	10W
Included	-----
Dimmable	Yes
Colour Temp	2700,3000,3500,4000,5000K
Weight	11.44Lbs

CWI Lighting
 2775 Broadway
 Buffalo, NY 14227
 USA

CWI Lighting
 140 Steelcase Rd. W.
 Markham ON. L3R 3J9
 Canada

Dallas Showroom
 Showroom #: 3327
 2100 N. Stemmons Frwy.
 Dallas, TX 75207

Email: info@cwilighting.com
 Toll: 1-877-564-6034
 www.cwilighting.com

