



CAL LIGHTING

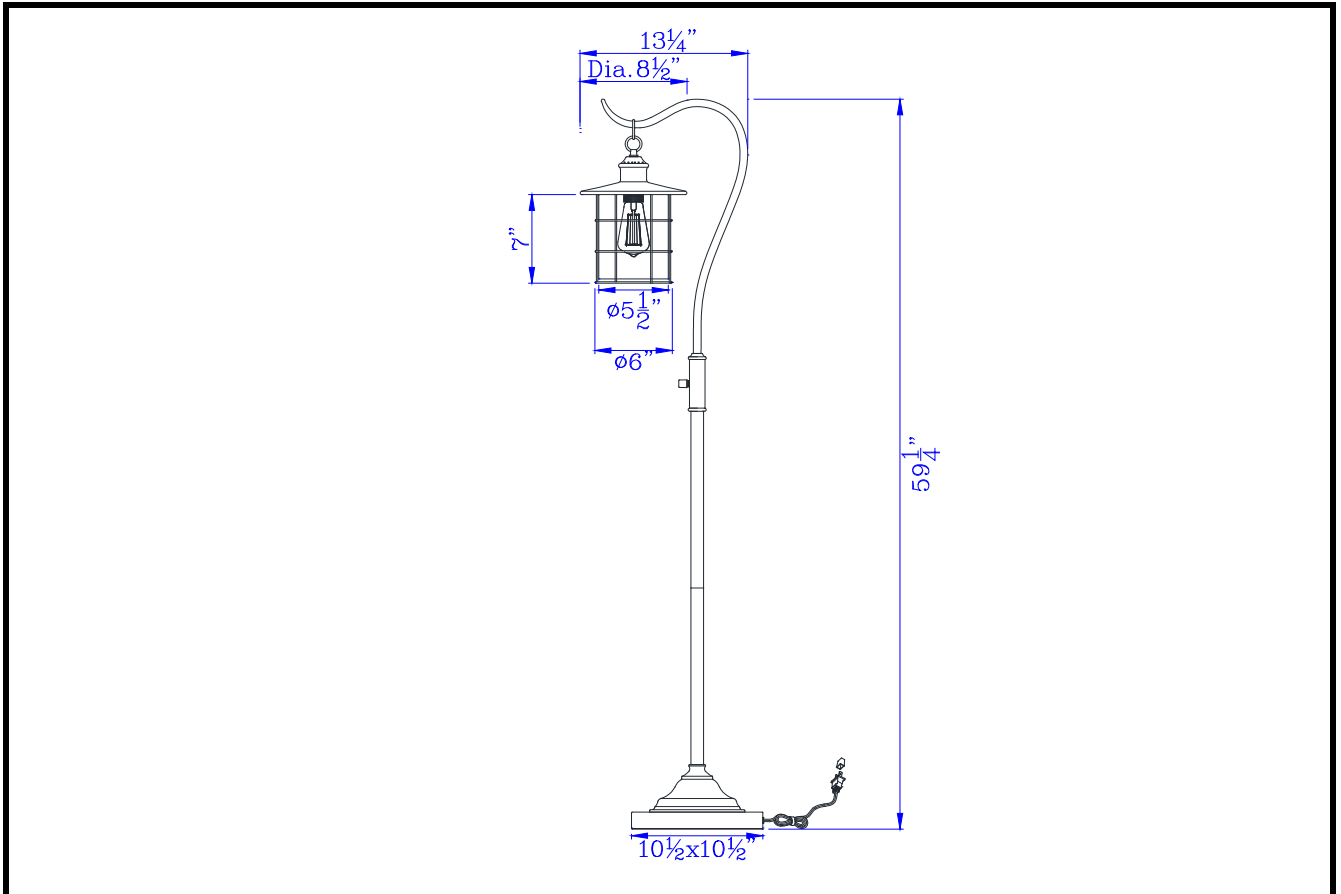
3625 E. Philadelphia St. Ontario CA. 91761 • Tel: 909.947.5200 • Fax:
909.947.5673 • www.calighting.com • service@calighting.com •
Specifications subject to change without notice

Type: _____

Project: _____

Catalog No.: _____

Lamp/Wattage: _____



Model No: BO-2668FL-DB

Description: 60W Silverton metal table lamp with clear glass shade Edison Bulb included

Material: Metal

Finish : Dark Bronze

Height: 59 1/4"

Reach: 13 1/4"

Base Width: 10 1/2"x 10 1/2"

Wattage : 60W

Socket : Medium Base

Switch: On/off Rotary

Bulb: Edison Bulb

Wire Length: 6'

Wire Color: Black

Shade No:

Material: Glass/Mesh

Shade size: 6"x6"x7"

Certificate : 