

INSTALLATION INSTRUCTIONS

Model# 2765-01

1 LIGHT PENDANT

Warnings and Cautions

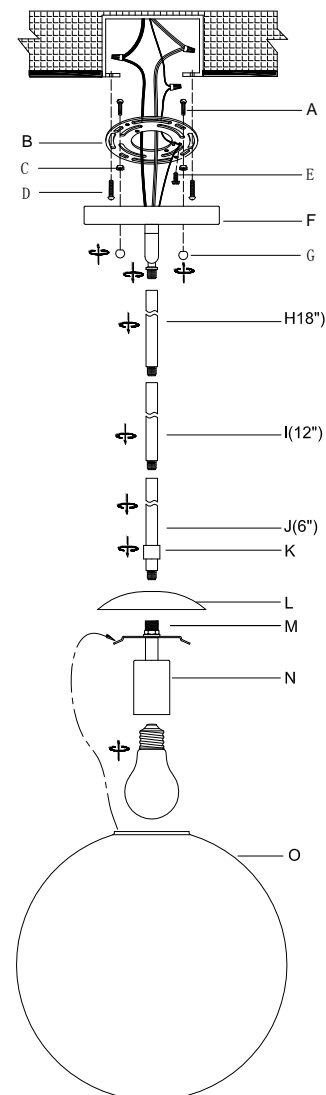
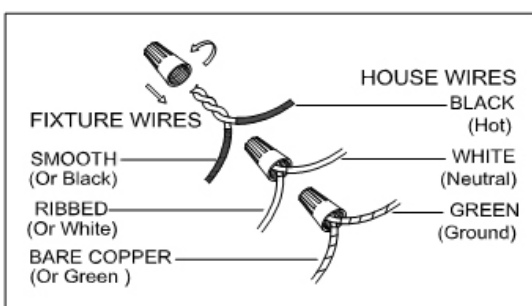
- Turn off electricity at circuit breaker or main fuse box before installation. Consult a licensed electrician if you are in doubt.
- These instructions are provided for your safety. It is very important you read them completely before installing fixture. We strongly recommend that a licensed, professional electrician perform the installation.
- Turn off the fixture at the switch before replacing the bulbs.
 - Make sure bulbs are given sufficient time to cool before removal.
 - Do not subject glass parts to any shock while in operation or shattering may result.

Tools Required (Not Included): Flathead screwdriver, Phillips screwdriver, Wire cutters, Electrical tape, Safety goggles, Ladder.

Helpful Tools (not included): Wire strippers.

ASSEMBLY INSTRUCTIONS

1. Carefully unpack and lay all parts on a clean, level surface. Do not discard any contents until after assembly is complete to avoid accidentally discarding small parts or hardware.
2. Unscrew the pre-assembled locking ball nut (G) from the mounting bracket (B). Attach the mounting bracket (B) to the junction box (not included) with the junction box screws (D).
3. Determine which rods (J/I/H) you want to be assembled to the socket assembly (M) according to your desired hanging height. Feed the supply wires and ground wire through the assembled 6 inch rod(s) and 12 inch rod (s) or 18 inch rod and through the ceiling canopy (F) until there is no slack in the wires. Hand tighten the rods (J/I/H) to the ceiling canopy (F) until snug.
4. Lift the canopy (F) toward the ceiling, and pull any excess wire up through the canopy (F).



5. Use the wire connectors (supplied) to connect the wires (see diagram above). Connect the house ground wire to the fixture ground wire. Connect the house white wire to the fixture supply wire (ribbed sided). Connect the house black (or red) wire to the fixture supply wire (smooth side). Wrap each connection with approved electrical tape and carefully stuff all of the connected wires into the outlet box.
6. Place the canopy (F) up to the ceiling junction box, allowing the pre-assembled screws on mounting bracket (B) to pass through the canopy (F) and secure with locking ball nuts (G).
7. Install the bulb (not included).
Install correct bulbs referring to fixture markings and/or labels for maximum wattage.
8. Position the Glass Shade (O) to the Fixture (M) in slanted direction. Make sure the rim of opening of the Glass Shade (O) is seated and engaged with the recessed surface of the Support Bar.
Below the Metal Cap (L) onto the Fixture (M) and secure the Glass Shade (O) by turning the Knurled Nut (K), clockwise by hand until tight.
9. Your installation is now completed. Restore electricity to test for connectivity. If there are any issues turn power off at the circuit breaker and double check to make sure the wires are connected properly. Retain this sheet for future reference.

CLEANING AND MAINTENANCE

1. Wipe clean using soft, dry cloth or static duster.
2. Always avoid using harsh chemicals and abrasives to clean fixture as they may damage the finish.