

ASSEMBLY INSTRUCTIONS

ITEM DESCRIPTION:

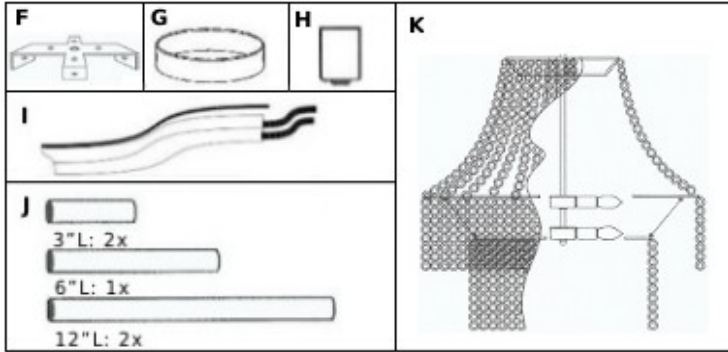
ITEM NO.: DLS10 NAME: Hannie Large Chandelier

MATERIAL TYPE: Wood Rings FINISH: Gray Wash

SOCKET TYPE: Type B – Candelabra SOCKET QTY: 8 pcs.

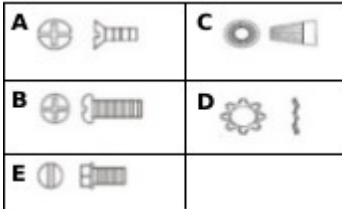
BULB WATTAGE: 40 W VOLTAGE: 120V

ITEM NET WEIGHT: 30 LBS



PARTS INCLUDED:

F) MOUNTING PLATE	QTY: 1x	I) FIXTURE WIRE	QTY: 1x
G) CANOPY	QTY: 1x	J) PIPEKIT	QTY: 5x
H) SOCKET	QTY: 8x	K) SHADE	QTY: 1x



HARDWARE INCLUDED:

A) MOUNTING SCREWS	2x	D) STAR WASHERS	4x
B) CANOPY SCREWS	4x	E) GREEN GROUND SCREW	1x
C) PLASTIC WIRE CONNECTORS	3x		

TO INSTALL YOU WILL NEED

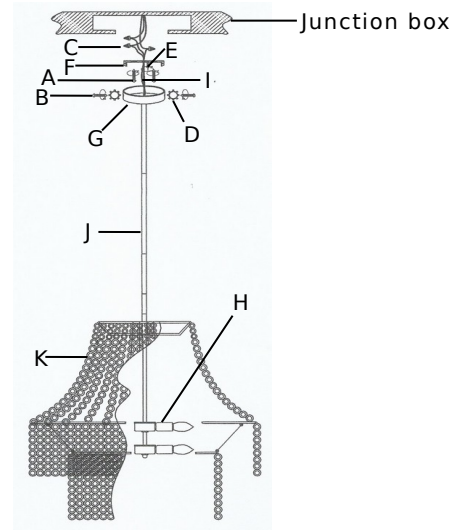
- 2 people recommended
- Phillips Screwdriver
- Plier
- Ladder
- Wire Cutter / Stripper
- Electrical Tape

These instructions are provided for safety. It is very important that they are read carefully and completely before beginning installation of this chandelier.

This product must be installed in accordance with the applicable installation codes by a person familiar with the construction and operation of the product and the hazards involved.

The lighting fixture is meant for indoor use. DRY LOCATIONS ONLY

We strongly suggest that all hard-wired fixtures must be installed by a professional electrician.



TO ASSEMBLE:

1. Shut off the main electrical supply from the main fuse box / circuit breaker.
2. Carefully unpack all fixture parts and hardware and lay them on a soft surface for assembly.
3. Gently pull wiring down from ceiling junction box and allow to hang.
4. Remove mounting plate from the canopy by unscrewing the canopy screws.
5. Carefully inspect the pendant's fixture wires.

Neutral fixture wire: has ridges molded on the outside insulation
 Hot fixture wire: has insulation that is smooth
 Ground wire: bare copper wire

6. Wrap ground wire of lamp assembly and ground wire of junction box together and fasten together with a plastic wire connector and wrap the connection with electrical tape.
7. Attach the neutral fixture wire from the pendant to the neutral junction box wire (usually white). Fasten each together with a plastic wire connector and wrap the connection with electrical tape.
8. Attach the hot fixture wire from the pendant to the hot junction box wire (usually black). Fasten each together with a plastic wire connector and wrap the connection with electrical tape. **DO NOT REVERSE THE HOT AND NEUTRAL CONNECTIONS OR SAFETY WILL BE COMPROMISED.**
9. Gently tuck the wire connections neatly into the ceiling junction box.
10. Place the mounting plate over the center of the ceiling junction box.
11. Align holes in mounting plate with holes in junction box and attach with two mounting screws. Secure screws with a Phillips head screwdriver.
12. Attach the canopy to the mounting plate. Align the holes of the side portions of the mounting plate with the holes located in the side of the canopy. Using a screwdriver insert the canopy screws and star washers through each hole of the canopy and into threaded engagement with the mounting plate. Do not over-tighten the screws.
13. Restore power to junction box and test fixture. Insert eight (8) 40-watt maximum Type B candelabra bulbs (not included) or eight (8) 9-watt maximum compact fluorescent light bulbs (not included) or eight (8) 4.5-watt maximum SBLed light bulbs (not included) into fixture. **DO NOT EXCEED SPECIFIED WATTAGE OF PENDANT.**

CARE INSTRUCTIONS:

Wipe with a soft, dry cloth. To protect finish, avoid the use of chemicals and household cleaners.