



Ceiling

360° of Luminosity

Sub pendant

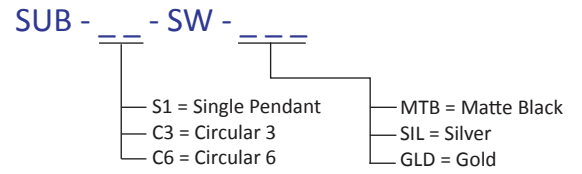
Designers
Kenneth Ng, Edmund Ng

Red Dot Design Award 2019

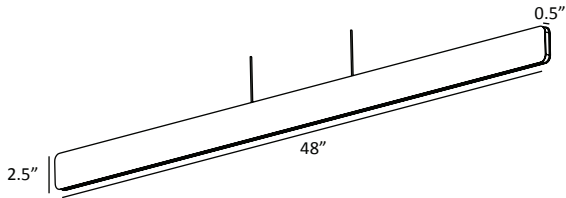
The Sub Pendant boasts a minimalist profile and emits a soft, warm glow. A continuous line of LED light wraps around the entire piece, allowing this pendant to function as both a task light for worksurfaces and ambient light for ceilings. The Sub is compatible with many ELV wall dimmers. Available as a single pendant or circular configuration of multiple lights, the Sub complements rather than obstructs the aesthetic of its surroundings.

Lumens: 2000 per pendant
 Energy Consumption: 48 W per pendant
 Rated Lifespan: 50,000 hours
 Color Temperature: Soft Warm (3,000 K)
 Color Rendering Index (CRI) : 90+
 Brightness Adjustability: Compatible with ELV wall dimmers*
 Material: Aluminum, plastic
 Safety Rating: C-UL-US Certified
 Warranty: 5 years
 Voltage: 120 V
 Standard Finishes: Matte black, silver, gold
 Cord/Canopy: 10 ft cords (suspending wires); matte black and gold finishes have black cords and canopies, silver finish has silver cords and canopy.

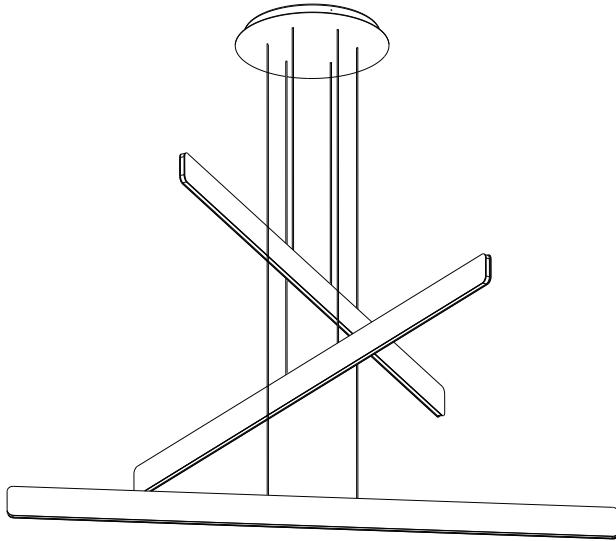
*Visit koncept.com/dimmers for information on compatible dimmers



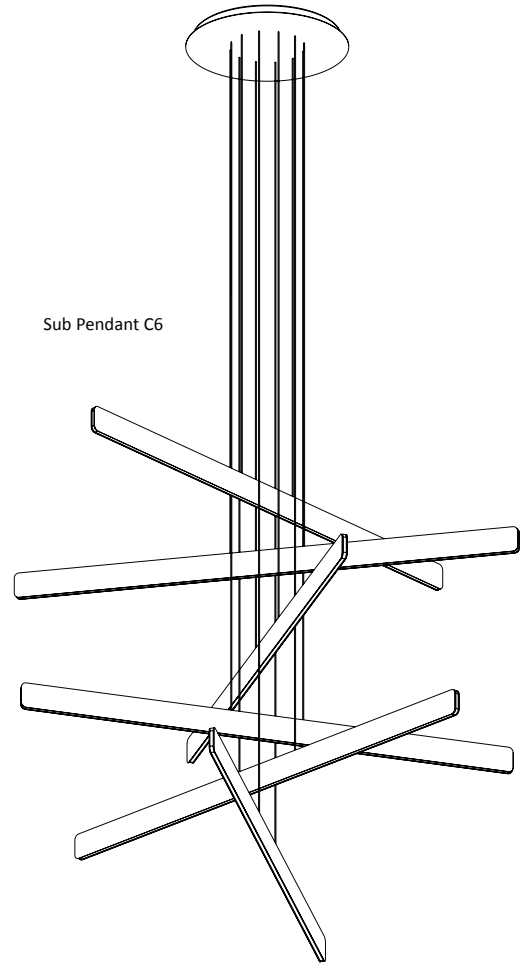
Sub Pendant (Single)



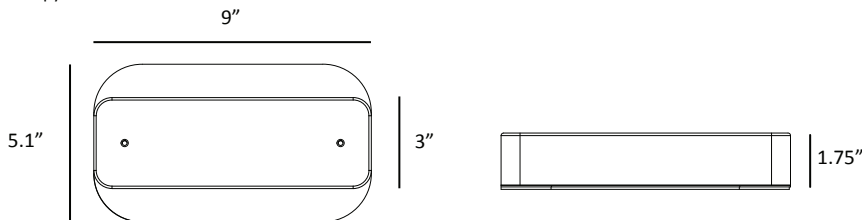
Sub Pendant C3



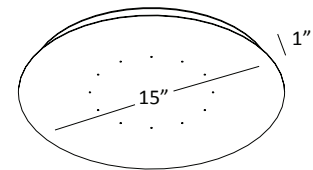
Sub Pendant C6



S1 Canopy



C3/C6 Canopy



LEED Information

Integrative Process

To support high-performance, cost-effective project outcomes through an early analysis of the interrelationships among systems. Koncept's LED lighting fixtures operate at high efficacy, therefore helping to minimize energy costs. All Koncept lighting fixtures are dimmable so that occupants can choose the appropriate setting to avoid energy overuse.

Interior Lighting

To promote occupants' productivity, comfort and well-being by providing high-quality lighting. Koncept's entire line of hardwired lighting fixtures are dimmable. Users can adjust the brightness settings to suit their needs. Furthermore, all products utilize high quality LED light sources with CRI over 80 and L70 rated lifespan over 50,000 hours.