

INSTALLATION INSTRUCTION

I CAN'T BELIEVE IT'S NOT RECESSED RETROFIT KIT

FM-616-RFK

WAC LIGHTING

Responsible Lighting®

WARNING

IMPORTANT: NEVER attempt any work without shutting off the electricity.

- Read all instructions before installing.
- System is intended for installation by a qualified electrician in accordance with the National Electrical Code and local regulations.
- Go to the main fuse box, or circuit breaker. Place the main power switch in the "OFF" position and unscrew the fuse(s) or switch "OFF" the circuit breaker switch(es) that control the power to the fixture or room that you are working on.
- Place the wall switch in the "OFF" position.
- Supply conductors (Power Wires) Connecting the fixture must be rated minimum 90°C. If uncertain, consult an electrician.

CAUTIONS

- These luminaires (fixtures) are designed to meet the latest NEC requirements and are listed in full compliance with UL 1598.
- Before attempting installation, check your local electrical code, as it sets the wiring standards for your locality.

Installation onto existing 5 inch or 6 inch recessed housings

1. Insert the pre-installed screws on the retrofit kit into the keyholes on the back of the fixture. Turn the fixture until the screws hit the smaller side of the keyhole. (**Fig. 1**)
2. Remove the snap-on front diffuser and tighten the retrofit kit screws from the front of the fixture. Place on the silicon keyhole covers and reinstall the diffuser (**Fig. 2**)
3. Screw E26 "medium screw base" socket adapter into socket in housing. (**Fig. 3**)
4. Insert the fixture wires into male connector of the socket adapter assembly. Plug the female connector onto the male connector. (**Fig. 4**)
5. Squeeze the torsion springs together as shown and install into torsion spring brackets inside the housing. (**Fig. 5**)
6. Tuck all wires into to the housing and carefully push the fixture into the housing. (**Fig. 5**)

Fig. 1

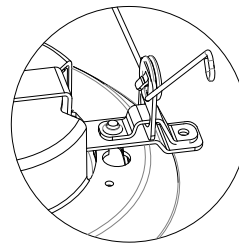


Fig. 2

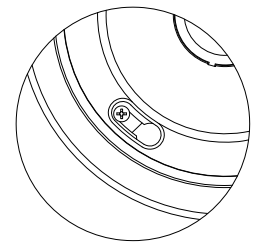


Fig. 3

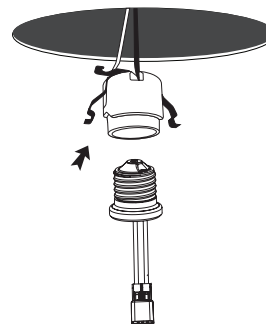


Fig. 4

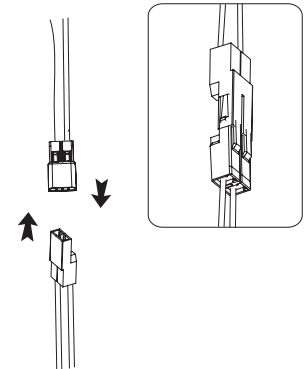
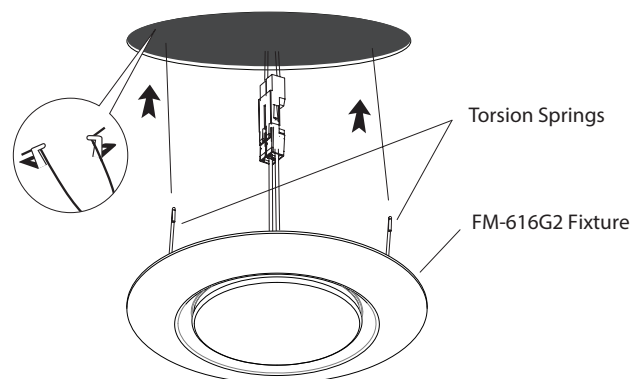


Fig. 5



WAC Lighting
www.waclighting.com
Phone (800) 526.2588 • Fax (800) 526.2585

Headquarters/Eastern Distribution Center
44 Harbor Park Drive • Port Washington, NY 11050
Phone (516) 515.5000 • Fax (516) 515.5050

Western Distribution Center
1750 Archibald Ave • Ontario, CA 91761
Phone (800) 526.2588 • Fax (800) 526.2585