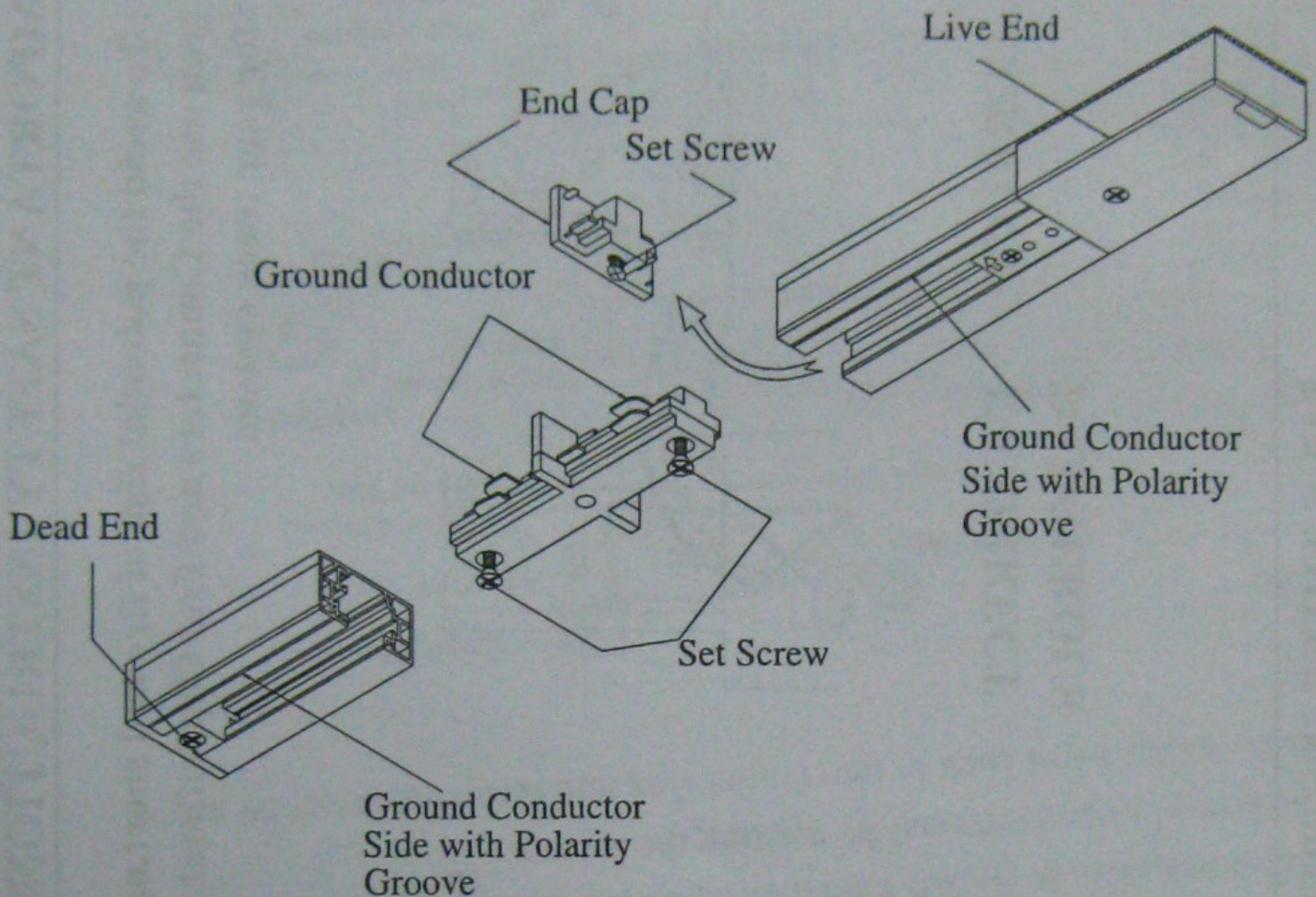


# INSTALLATION INSTRUCTION OF MINI STRAIGHT JOINER



**CAUTION :** Turn off switch at main power source before installing any track or fitting.

1. Loosen set screw on Dead End and remove Dead End from end of track
2. Loosen set screws on Mini Straight Joiner and insert Mini Straight Joiner with ground conductor pointing to track polarity groove for proper installation.
3. Tighten set screws to lock to tracks.

**NOTE :** Track ends must be terminated with either a Dead End or a Connector.

**SAVE THESE INSTRUCTIONS**

**Warning:** To avoid the potential risk of fire and shorting, under any circumstances **should not** you use the connectors and end cap **without** busbar stoppers (Drawings below with "X" mark ) for your track system.

