



CAL LIGHTING

3625 E. Philadelphia St. Ontario CA. 91761 • Tel: 909.947.5200 • Fax:
909.947.5673 • www.calighting.com • service@calighting.com •
Specifications subject to change without notice

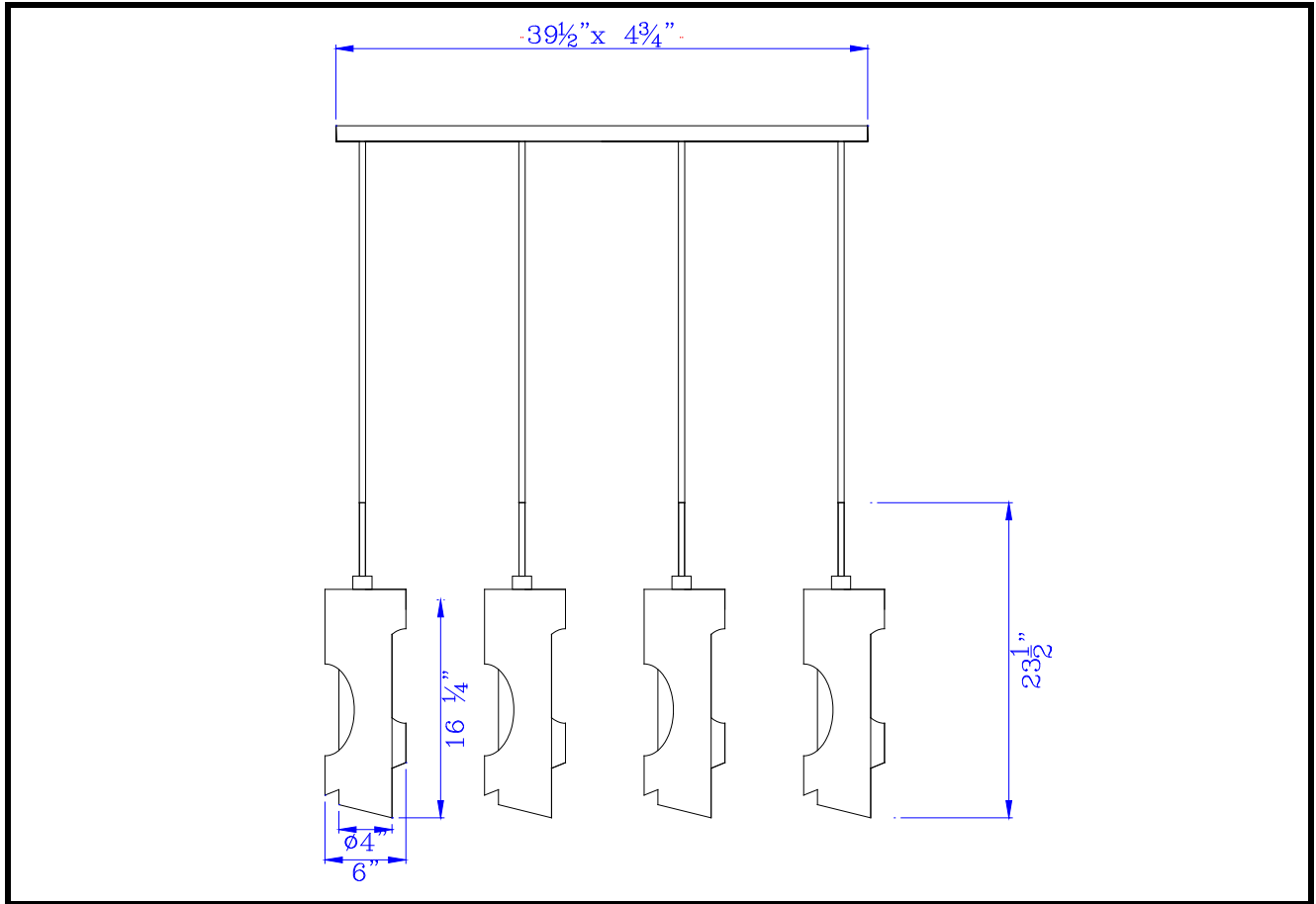
Type: _____

Project: _____

Catalog No.: _____

Lamp/Wattage: _____

Drawing:



- Model No:** FX-3669-4
- Description:** 60W x 4 Zamora 4 light wood island style fixture
- Material:** Metal / Wood
- Finish :** Smoky wood
- Height:** 23 1/2"
- Width:** 41 1/2"
- Reach/Depth:** 6"
- Wattage :** 60W x 4
- Socket :** Medium Base (E26)
- Bulb:** Incandescent
- Chain Length:**
- Wire Length:** 6'
- Wire Color:** Black
- Shade No:** None
- Material:** Glass
- Shade size:** 4"x4"x16 1/4"

Certificate :

