

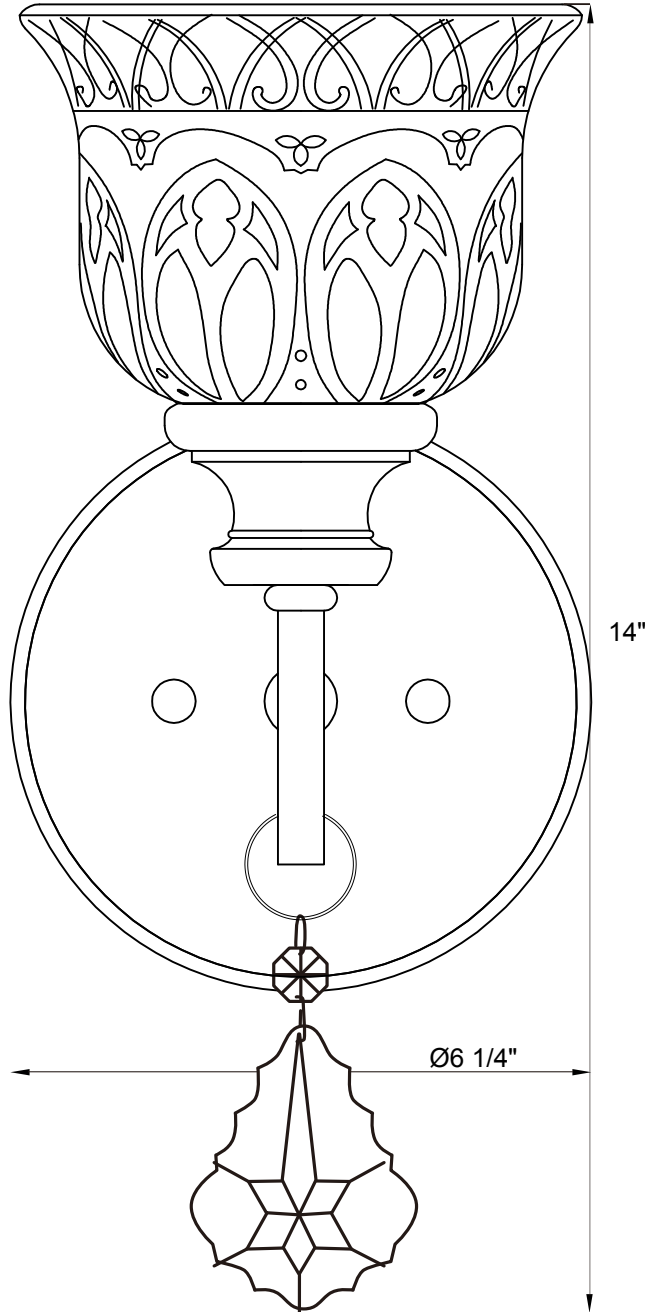
CRYSTORAMA

LIGHTING THE WAY FOR SIXTY YEARS



Crystorama.com

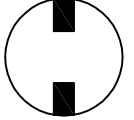
ASSEMBLY INSTRUCTION MODEL #7501-BU-GT-S



WARNING:

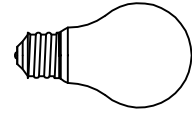


Electrical Danger



Turn Power Off

All electrical components must be installed by a licensed electrician in accordance with the National Electric Code and the appropriate local electrical codes.



You will need 1 - Medium Bulb
40 Watts Recommended 60 Watts Max.
USE LED BULBS FOR EXTENDED USE

How to Install

1. Attach mounting plate to the junction box using box screws.
2. Connect the fixture wires to the supply wires.
3. Mount the fixture to the junction box with ball nuts.
4. Place glass over socket and secure with ring.
5. Hang the crystal from the indent on the frame.
6. Install the bulb (Not included) in accordance with the fixture's specifications. (DO NOT EXCEED THE MAXIMUM WATTAGE RATING!)

Crystal Sets

- A. 1)14mm + AS20-3"

WARNING: This product can expose you to Lead, which is known to the State of California to cause cancer and/or birth defects or reproductive harm. For more information go to www.P65Warnings.ca.gov

CRYSTORAMA

LIGHTING THE WAY FOR SIXTY YEARS



ASSEMBLY INSTRUCTION MODEL #7501-BU-GT-S

Part Number

Part Numbers

- A. Mounting Hardware
 - (2) - Wire connector
 - (1) - Mounting Plate
 - (2) - Box Screws
 - (1) - Grounding Screw
- B. (2) - Ball Nuts; XVE7401BUBANUT
- C. (1) - Ring
- D. (1) - Glass Ø6" 42mm hole; XVE7401BUGLA4.5IN

