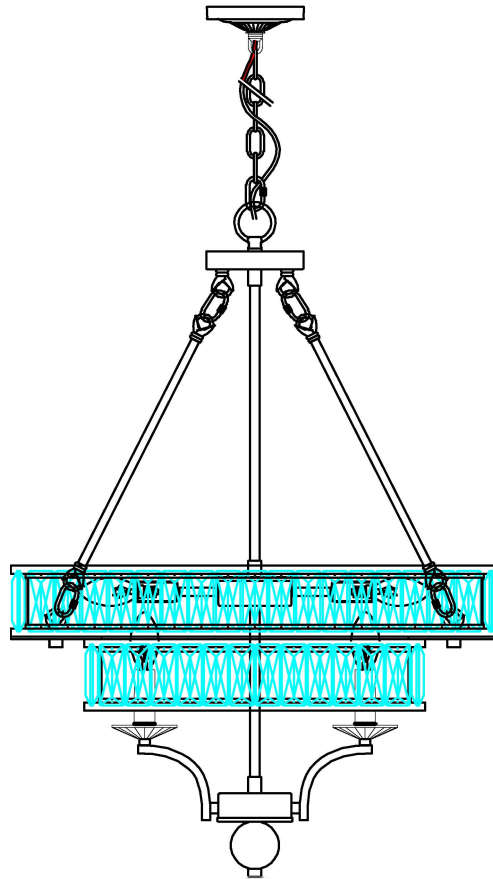


Product Name: Pendant lamp
Model :9972P23-8-601
120Vac, 60Hz,AC ONLY
Lamp Size:D23L23**H30"-H92"**

Trade Mark:
CRYSTAL WORLD INC



PENDANT LAMP ASSEMBLY INSTRUCTIONS

1. Install bulb(NOT INCLUDED).USE 120V E12  8*60W Max.

