

SAFETY INFORMATION

Please read and understand this entire manual before attempting to assemble, install or operate the product.

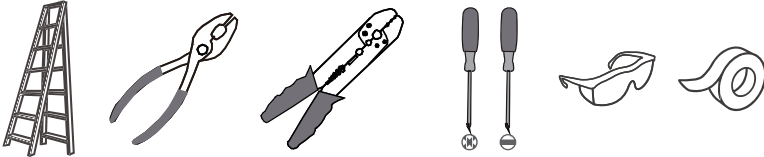
WARNING

- RISK OF ELECTRIC SHOCK - Before beginning installation, turn off electricity at the circuit breaker box or the main fuse box.
- RISK OF FIRE - Use bulbs specified by the markings and/or labels on the fixture.

CAUTION

- For your safety, read instructions completely before beginning installation.
- If in doubt about electrical installation, consult a licensed electrician.
- Turn off electricity to fixture before replacing the bulb(s).

TOOLS REQUIRED

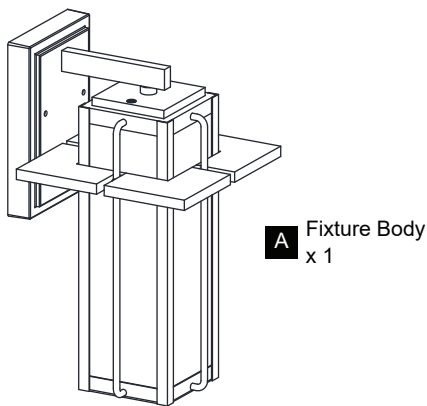


CARE AND MAINTENANCE

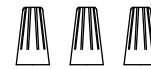
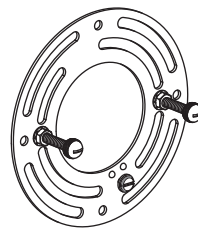
- Wipe clean using soft, dry cloth or static duster. Always avoid using harsh chemicals and abrasives to clean fixture as they may damage the finish.

If you need further assistance call Quozel Customer Care at 1-800-645-3184 (9:00am – 5:00pm EST), or visit us on-line at www.quezel.com.

PACKAGE CONTENTS



MOUNTING HARDWARE



INSTALLATION

1 Remove Styrofoam Inside of Cage

Styrofoam

2 Install Crossbar Assembly

3 Wiring

White wire from supply White from fixture

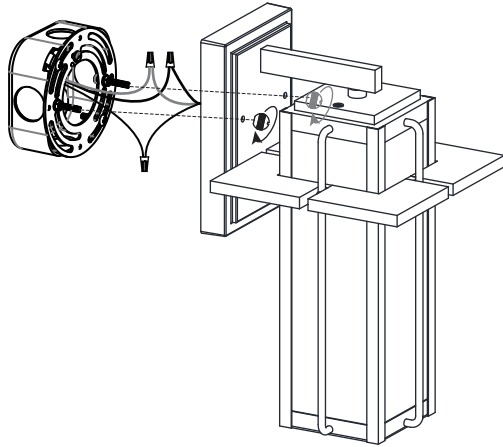
Black (or red) wire from supply Black from fixture

Ground wire from supply Ground wire from fixture

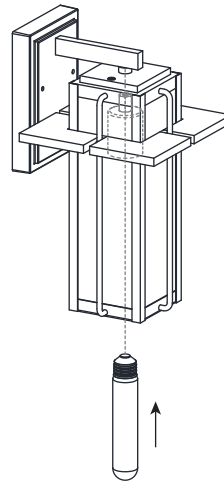
Green ground screw

INSTALLATION

4 Install Fixture Body




5 Install Bulb



Install one correct bulb referring to fixture markings and/or labels for maximum wattage.

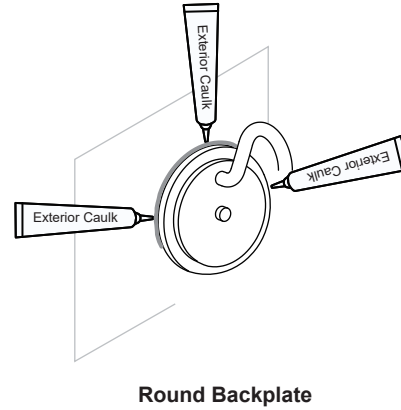
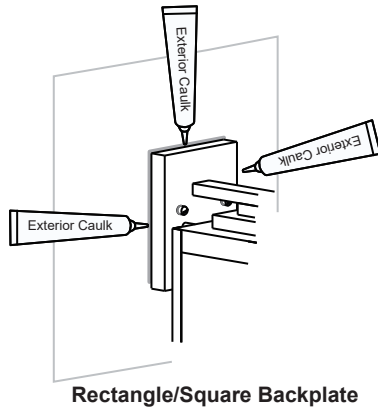
Recommended Bulb type (not included):


BULB BASE TYPE
Medium (E26)


60W
MAX
BULB SHAPE
TYPE T10

6 Apply Caulking (Backplate shape is varies depends on items purchased)

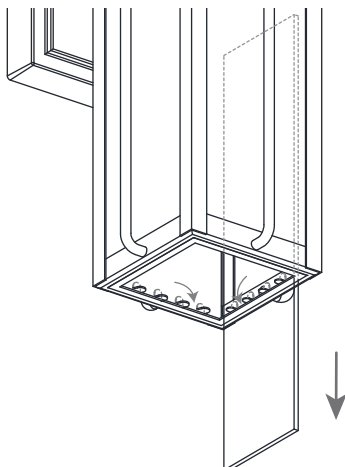
***Note: Do NOT caulk the bottom of the backplate to allow moisture to escape.**



Your installation is now complete! Restore electricity and save this sheet for future reference.

HOW TO REPLACE GLASS PANEL

1 Remove Glass Panel



Reverse above steps to reinstall the replacement Glass Panels onto fixture.