

FLUORESCENT FLUSH MOUNT FIXTURE ASSEMBLY&INSTALLATION INSTRUCTIONS

Plesae read carefully and save these instructions ,as you may need them at a later date .

CAUTION

Turn off the main power at the circuit break before installing the fixture ,in order to prevent possible shock
Plesae read carefully and save these instructions ,as you may need them at a later date .

GENERAL

All electrical connections must be in accordance with local and national electrical code (N.E.C) standards.if you are unfamiliar with proper electrical wiring connections obtain the services of a qualified electrician.

Remove the fixture and the mounting package from the box and make sure that no parts are missing by referencing the illustrations on the installation .

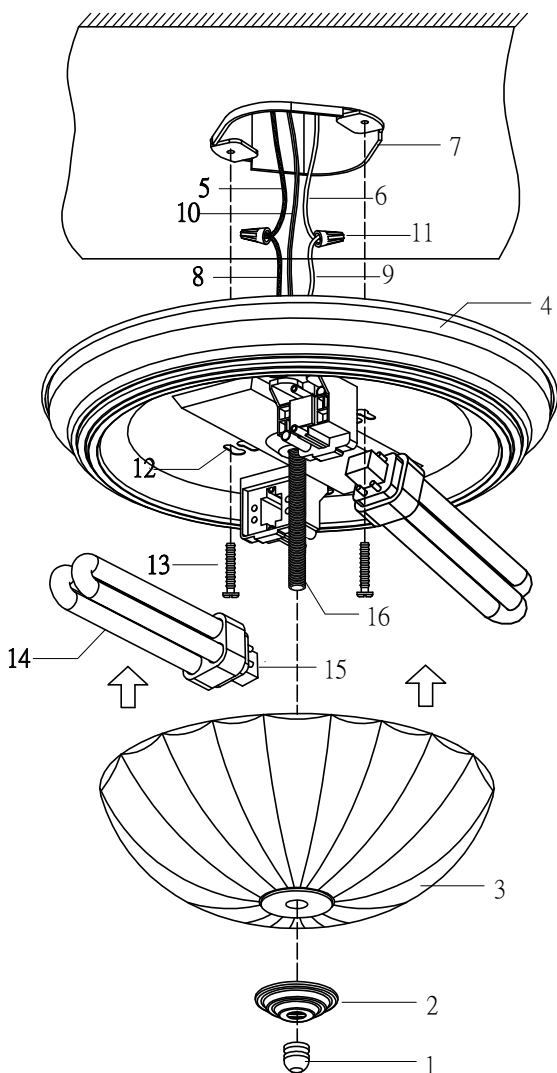
ASSEMBLY AND INSTALLATION

- 1.Turn off the power .
- 2.Remove the cap nuts(1) ,and take out the metal cap(2), then you can take the glass cover (3) out from the fixture pan(4).
- 3.Pull the supply wires(5)&(6)out from the outlet box(7)
- 4.Make the wiring connections :connect the fixture ground wire (10) to the outlet box ; connect the white supply wire (6) to the white fixture wire (9); connect the black supply wire (5) to the black fixture wire (8) using wire connectors(11). Carefully tuck all wires back into the outlet box(7).
- 6.Reposition your fixture over the outlet box(7). Feed the two mounting screws (13) through the keyhole slots (12) located on the center of the fixture pan. Tighten the mounging screws(13) into the threaded holes on the outlet box(7)until the fixture pan (4) is flush with the ceiling.

7.Install the plc lamp (14) into the lamp holder (15) .Please follow the wattage label on the fixture pan . Use specified lamp type.

8.Secure the glass cover (3) to the fixture pan through the threaded pole(16),and then take up the metal cap(2) , and then tighten the cap nuts (1) into the threaded pole.

INSTALLATION IS NOW COMPLETED



- 1.CAP NUT
- 2.METAL CAP
- 3.GLASS COVER
- 4.FIXTURE PAN
- 5.BLACK SUPPLY WIRE
- 6.WHITE SUPPLY WIRE
- 7.OUTLET BOX
- 8.BLACK FIXTURE WIRE
9. WHITE FIXTURE WIRE
- 10.FIXTURE GROUND WIRE
- 11.WIRE CONNECTOR
12. KEYHOLE SLOT
- 13.MOUNTING SCREW
- 14.PLC LAMP
- 15.LAMP HOLDER
- 16.THREADED POLE

