

SAFETY INFORMATION

Released Date: 2024-03-25

Please read and understand this entire manual before attempting to assemble, install or operate the product.

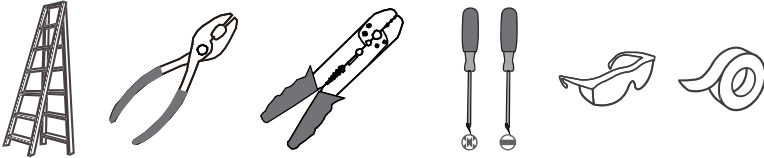
WARNING

- RISK OF ELECTRIC SHOCK - Before beginning installation, turn off electricity at the circuit breaker box or the main fuse box.
- RISK OF FIRE - Use bulbs specified by the markings and/or labels on the fixture.

CAUTION

- For your safety, read instructions completely before beginning installation.
- If in doubt about electrical installation, consult a licensed electrician.
- Turn off electricity to fixture before replacing the bulb(s).

TOOLS REQUIRED

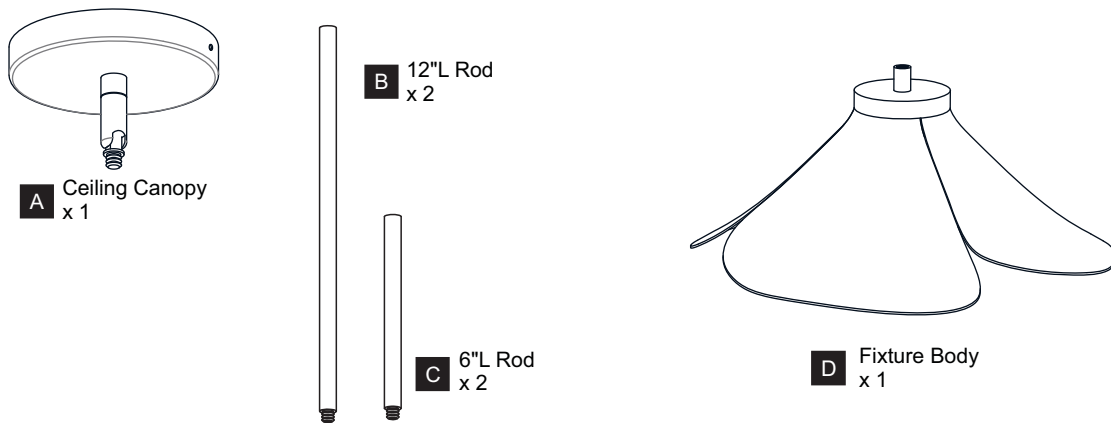


CARE AND MAINTENANCE

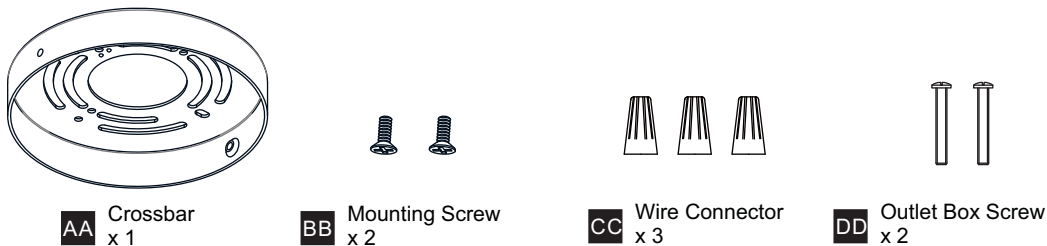
- Wipe clean using soft, dry cloth or static duster. Always avoid using harsh chemicals and abrasives to clean fixture as they may damage the finish.

If you need further assistance call Quozel Customer Care at 1-800-645-3184 (9:00am - 5:00pm EST), or visit us on-line at www.quezel.com.

PACKAGE CONTENTS



MOUNTING HARDWARE



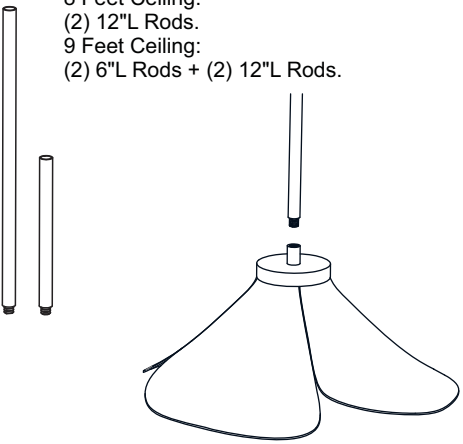
INSTALLATION

OPTION 1: PENDANT - QP6747MBK ,QP6747LG

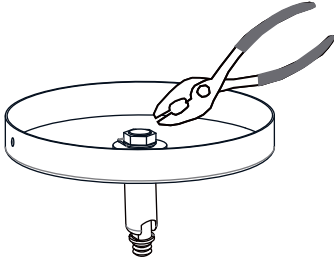
1 Install Rods

Optional Rods:

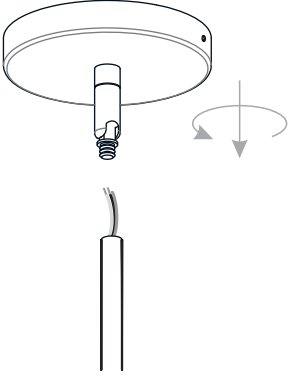
8 Feet Ceiling:
(2) 12"L Rods.
9 Feet Ceiling:
(2) 6"L Rods + (2) 12"L Rods.



2 Tighten hex nut inside of the Ceiling Canopy

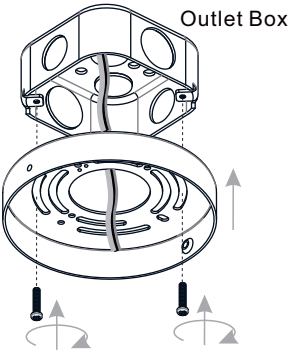


3 Install Ceiling Canopy to Upper Rod

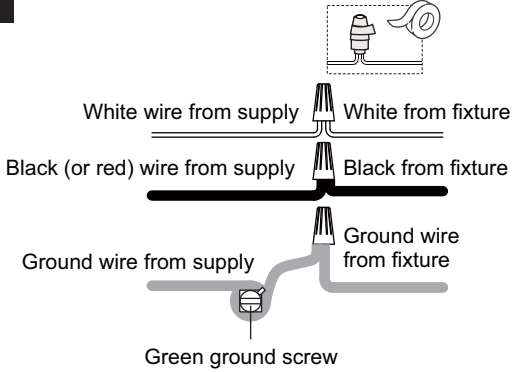


4 Install Crossbar

Outlet Box



5 Wiring



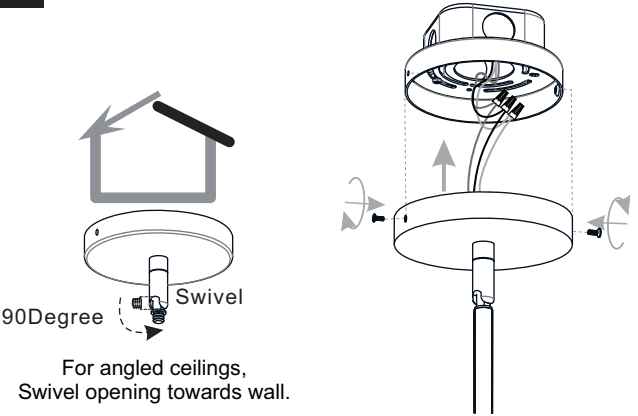
White wire from supply White from fixture

Black (or red) wire from supply Black from fixture

Ground wire from supply Ground wire from fixture

Green ground screw

6 Install Ceiling Canopy to Crossbar




90Degree Swivel

For angled ceilings,
Swivel opening towards wall.

7 Install Bulb

Install one correct bulb referring to fixture markings and/or labels for maximum wattage.

Recommended Bulb type (not included):



BULB BASE TYPE
Medium (E26)

BULB TYPE
TYPE A

100W MAX

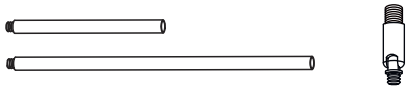
Your installation is now complete! Restore electricity and save this sheet for future reference.

INSTALLATION

IMPORTANT: This CONVERTIBLE fixture can be mounted as pendant light or semi-flush light. **DO NOT CUT SUPPLY WIRES** if you intend to use it as pendant light.

OPTION 2: SEMI-FLUSH - QSF6747MBK, QSF6747LG

* Set aside (2) 6"L Rods and (2) 12"L Rods, swivel since they are not required for the semi-flush installation.



1 Remove Swivel

Set aside Swivel

The diagram shows the fixture body with the swivel being removed. Arrows indicate the direction of movement. The swivel is shown being rotated and then lifted away from the fixture body.

2 Install Ceiling Canopy to Fixture Body

Supply Wire

* Cut the supply wires leaving approximately 8" of wire extending from the ceiling canopy after assembly.

The diagram shows the ceiling canopy being attached to the fixture body. A supply wire is shown entering the canopy. The canopy is rotated and then pushed onto the fixture body.

3 Wiring

White wire from supply White from driver
Black (or red) wire from supply Black from driver
Ground wire from supply Ground wire from fixture
Green ground screw

The diagram shows the wiring connections for the fixture. It includes a white wire from the supply connected to the white wire from the driver, a black (or red) wire from the supply connected to the black wire from the driver, and a ground wire from the supply connected to the ground wire from the fixture. A green ground screw is also shown.

4 Install Ceiling Canopy to Crossbar

The diagram shows the ceiling canopy being attached to the crossbar. The canopy is rotated and then pushed onto the crossbar.

5 Install Bulb

Install one correct bulb referring to fixture markings and/or labels for maximum wattage.

Recommended Bulb type (not included):

BULB BASE TYPE Medium (E26) BULB TYPE TYPE A

100W MAX

The diagram shows a bulb being inserted into the fixture. The bulb is rotated and then pushed into the socket.

Your installation is now complete! Restore electricity and save this sheet for future reference.