

Assembly Instruction Sheet #IS-RBN1616MN For Style RBN1616MN

Quoizel, Inc.
 6 Corporate Parkway
 Goose Creek, SC
 29445

Customer Service
 Phone 631.273.2700
 Fax 631.231.7102
www.quoise.com

Tools Required: Flathead screwdriver, Phillips screwdriver, pliers, wire cutters, wire strippers, electrical tape, safety glasses.

Bulb Recommended: (4) G9 Base frosted G9 Xenon bulb, 40W Maximum

Estimated Assembly Time: 20-30 minutes

Preparation: Identify and inspect all parts before beginning installation. Check package content list and diagrams below to be sure all parts are present. If any parts are missing or damaged, do not attempt to assemble, install, or operate the fixture. Contact customer service for replacement parts.



Warnings and Cautions

Turn off electricity at circuit breaker or main fuse box before installation. Consult a licensed electrician if in doubt.

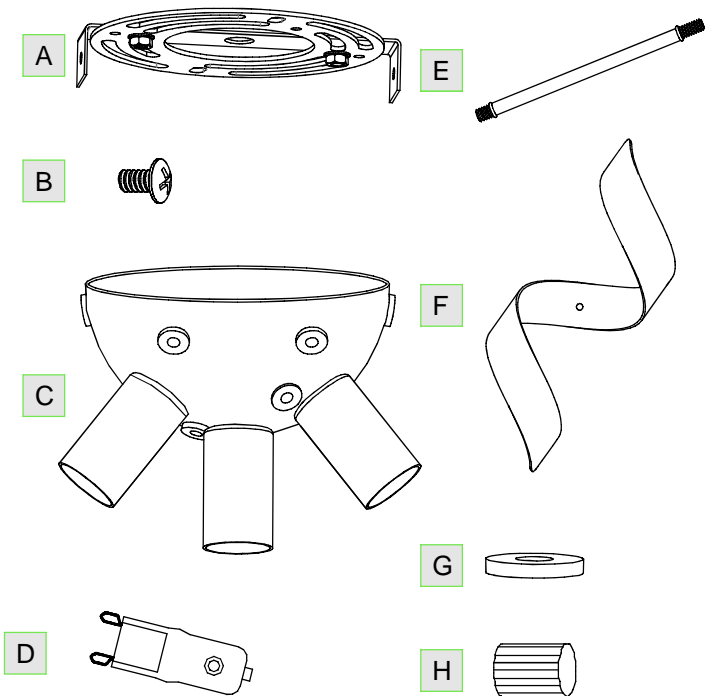
These instructions are provided for your safety. It is very important you read them completely before installing the fixture. We strongly recommend that a licensed, professional electrician perform the installation.

Disconnect fixture from power source before replacing bulbs. Make sure bulbs are given sufficient time to cool before removal. Do not subject glass parts to any shock while in operation or shattering June result.

Do not touch the bulb with bare hands use a cloth or glove.

Package Contents

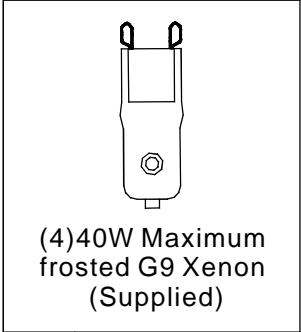
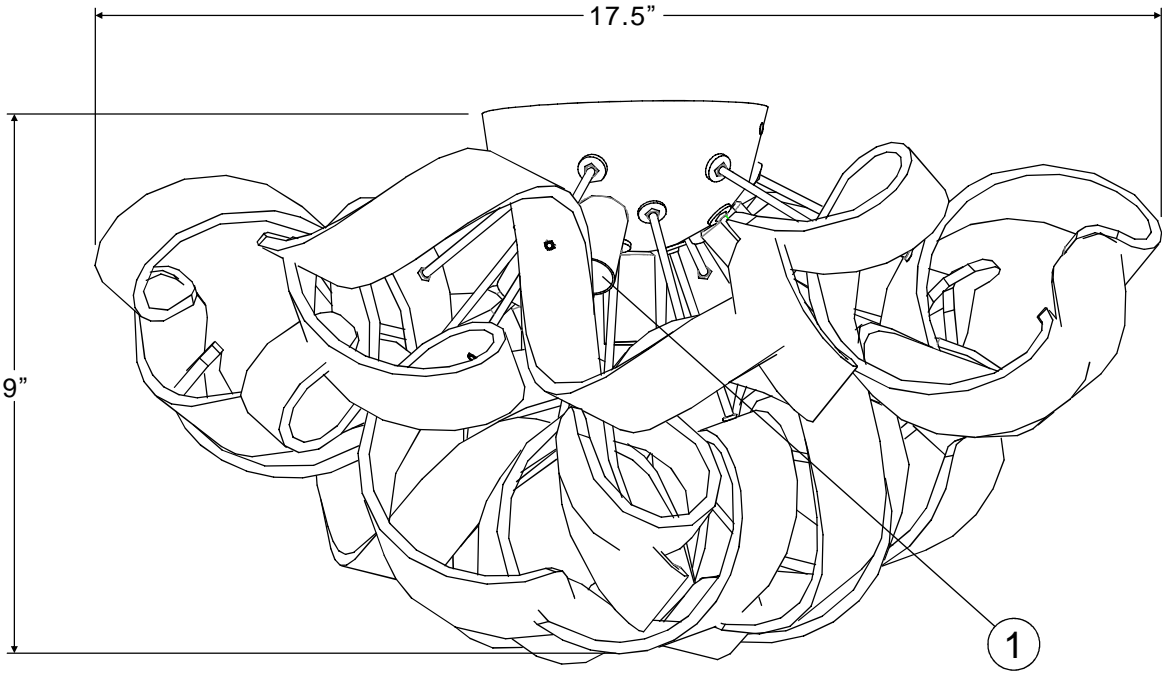
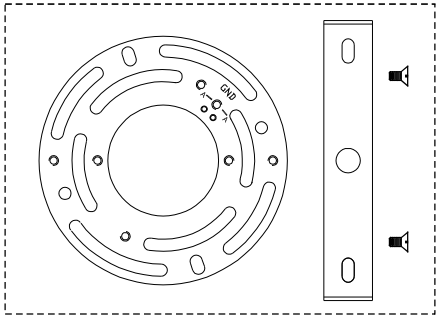
Part	Description	Quantity
A	Crossbar	1 pc.
B	Mounting Screw	2 pcs.
C	Fixture Body	1 pc.
D	Bulb	4 pcs.
E	Stem	9 pcs.
F	Trimming	9 pcs.
G	Rubber Washer	18 pcs.
H	Lock Ball	9 pcs.



Thank you for purchasing a Quoizel product.

**Need assistance with parts or assembly? Call Quoizel customer service at 1-631-273-2700
 or visit us on-line at www.quoise.com**

RBN1616MN
 FINISH: MILLENIA



NOTE: ALL DIMENSIONS ARE ROUNDED UP TO THE NEAREST 1/2"

NO.	PART NUMBER	REPLACEMENT PART DESCRIPTION	REQ.
1	I1203SF	BULB 40W XENON G9 FROSTED	4

STEP 1 - Attach Crossbar to Outlet Box

- A. Attach the Crossbar (A) to Outlet Box and secure by threading Outlet Box Screws (not supplied) into the Mounting Holes on the Outlet Box. Tighten until snug.

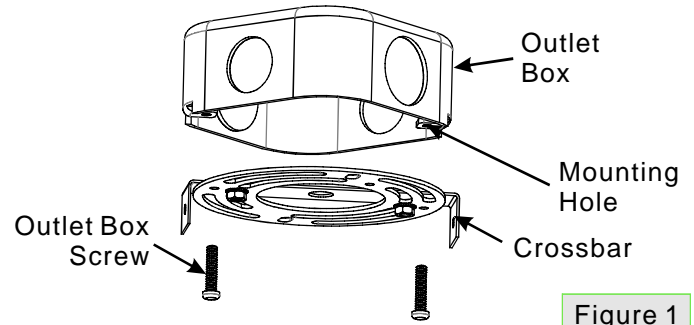


Figure 1

STEP 2 - Make Wire Connections

- A. Use standard wire connectors to make all wire connections. (Connectors are not included with fixture.) Strip and prepare wire ends according to instructions supplied with connectors.
 B. Connect White Supply Wire from the Outlet Box to White Wire from fixture.
 C. Connect Black (or Red) Supply Wire from the Outlet Box to Black Wire from fixture.
 D. Connect Ground Wire from the Outlet Box to Ground Wire from fixture.
 E. Twist connectors until wires are tightly joined together.
 F. Wrap each connection with approved electrical tape and carefully stuff all the connected wires into the Outlet Box.

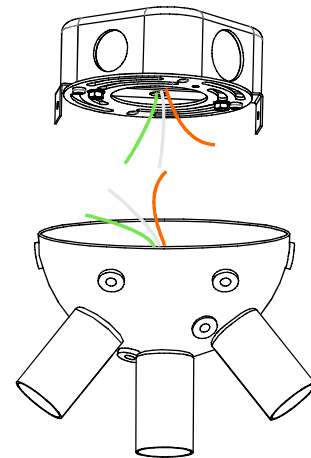


Figure 3

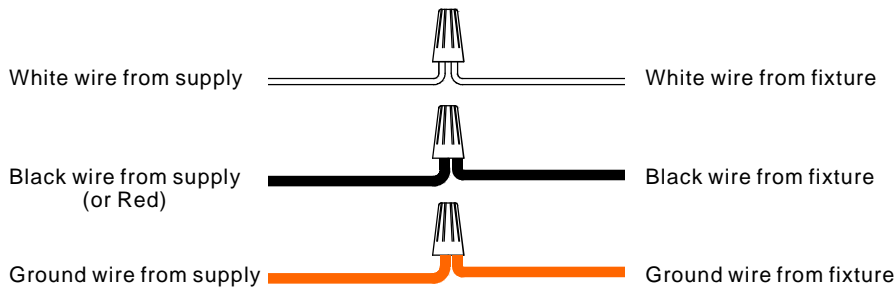


Figure 2

STEP 3 - Attach Ceiling Canopy to Crossbar

- A. Line up the Hole on the Fixture Body (C) and the Mounting Hole on the Crossbar (A), secure by thread the Mounting Screw (B) into the Mounting Hole. Tighten until snug.

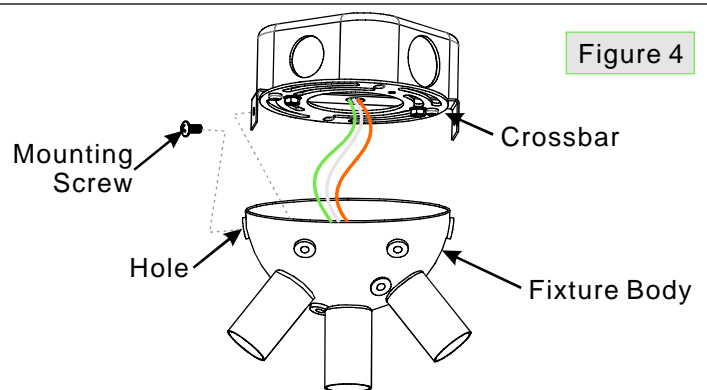


Figure 4

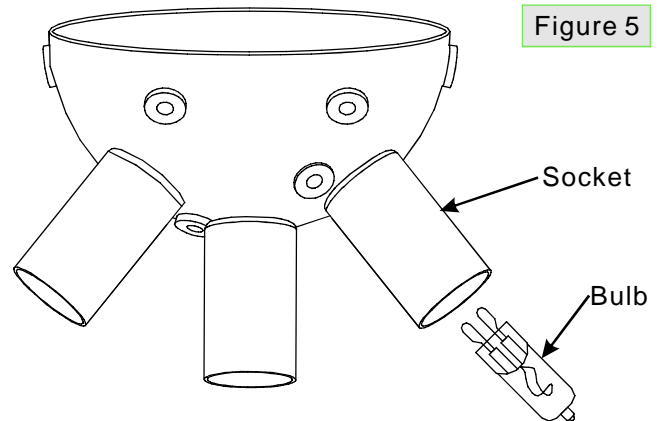
Thank you for purchasing a Quozel product.
Need assistance with parts or assembly? Call Quozel customer service at 1-631-273-2700
or visit us on-line at www. quozel. com

Assembly Instruction Sheet #IS-RBN1616MN For Style RBN1616MN

STEP 4 - Install Bulb

- A. This fixture uses Frosted G9 Xenon Bulbs. Maximum 40 watts.
- B. Insert bulb and seat properly into place.

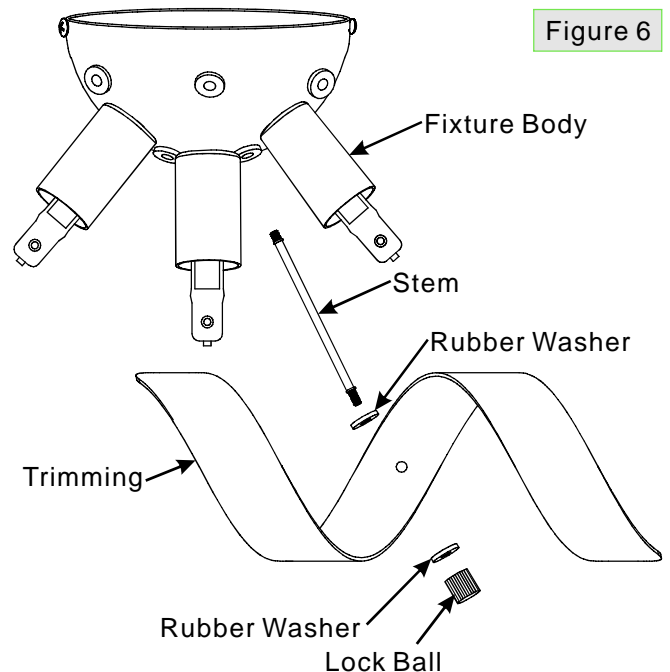
IMPORTANT: Do not touch the bulb with bare hands use a cloth or glove.



STEP 5 - Install Trimming to Fixture

- A. Thread the Short Nipple end of Stem (E) into the Fixture Body (C), hand tighten until snug.
- B. Place the Trimming (F) and Rubber Washer (G) over the other end of Stem (E). Secure by threading Lock Ball (H) onto the Stem (E). Hand tighten until snug.

Your fixture is now assembled and ready to use.
Enjoy!



CAUTION FOR BULB REPLACING

- A. When replace bulb, turn off power and allow lamp to cool. For safety purpose, wear gloves and eye protection.
- B. If bulb is scratched or cracked, DO NOT use the lamp to avoid breakage during use or installation.
- C. Use only in fixtures rated for lamps wattage and voltage.
- D. Lamp operate under high pressure generating intense heat. Prevent contact with liquid and combustible materials.

Thank you for purchasing a Quozel product.

Need assistance with parts or assembly? Call Quozel customer service at 1-631-273-2700
or visit us on-line at www. quozel. com