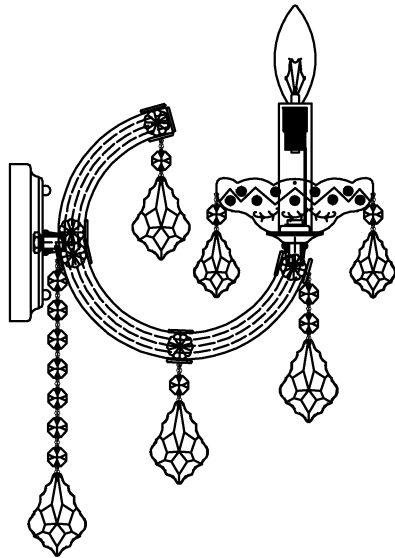


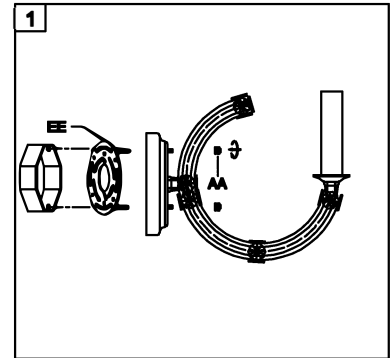
Trade Mark:  
CRYSTAL WORLD INC

Product Name: Wall lamp  
Model :8318W5C-1  
120Vac, 60Hz,AC ONLY  
Lamp Size:W5"xH10"xE11"



## WALL LAMP ASSEMBLY INSTRUCTIONS

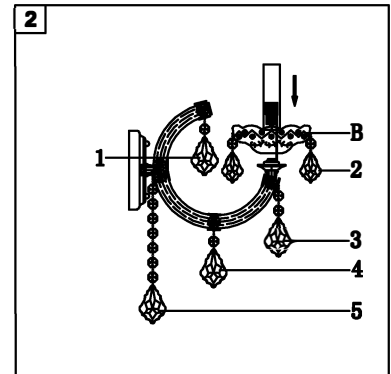
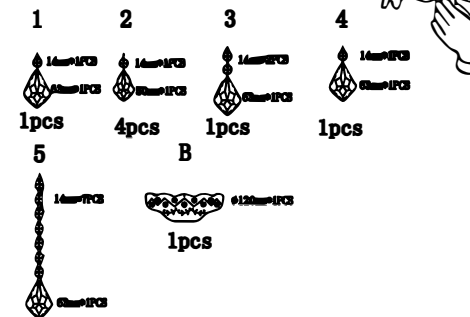
- 1.Place fixture(A) onto crossbar (EE).  
Secure with cap nuts (AA).



### Hardware Used

AA Cap nut      ☺      X 2

- 2.Please hang the crystal (1) (2) (3) (4) (5) to the fixture .



1pcs

- 3.Install light bulbs ( not included).  
Use bulb  
120V E12 1\*40W Max.

