



CAL LIGHTING

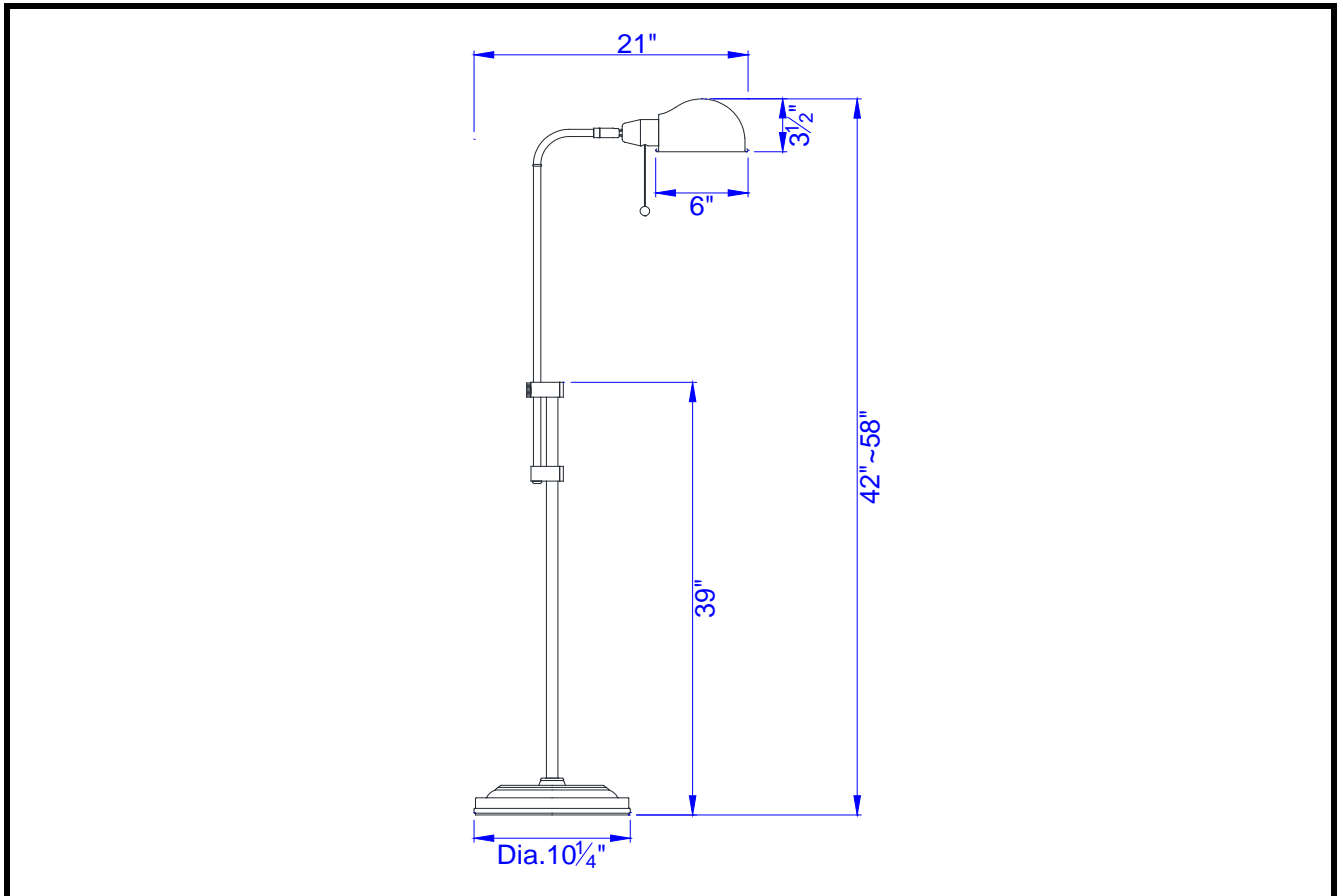
3625 E. Philadelphia St. Ontario CA. 91761 • Tel: 909.947.5200 • Fax:
909.947.5673 • www.calighting.com • service@calighting.com •
Specifications subject to change without notice

Type: _____

Project: _____

Catalog No.: _____

Lamp/Wattage: _____



- Model No:** BO-2441FL
Description: Croby Pharmacy Floor Lamp with Adjustable Pole
Material: Metal
Finish : BS (Brushed Steel)
Height: 42~58"
Base Width: Dia. 10 1/4"
Reach: 21"
Wattage : 60W
Socket : Medium Base (E26)
Switch: On/off Pull-chain
Bulb: Incandescent, CFL
Wire Length: 6'
Wire Color: Silver
Shade No:
Material: Metal
Shade size: Dia.6"xH3 1/2"

Certificate :

