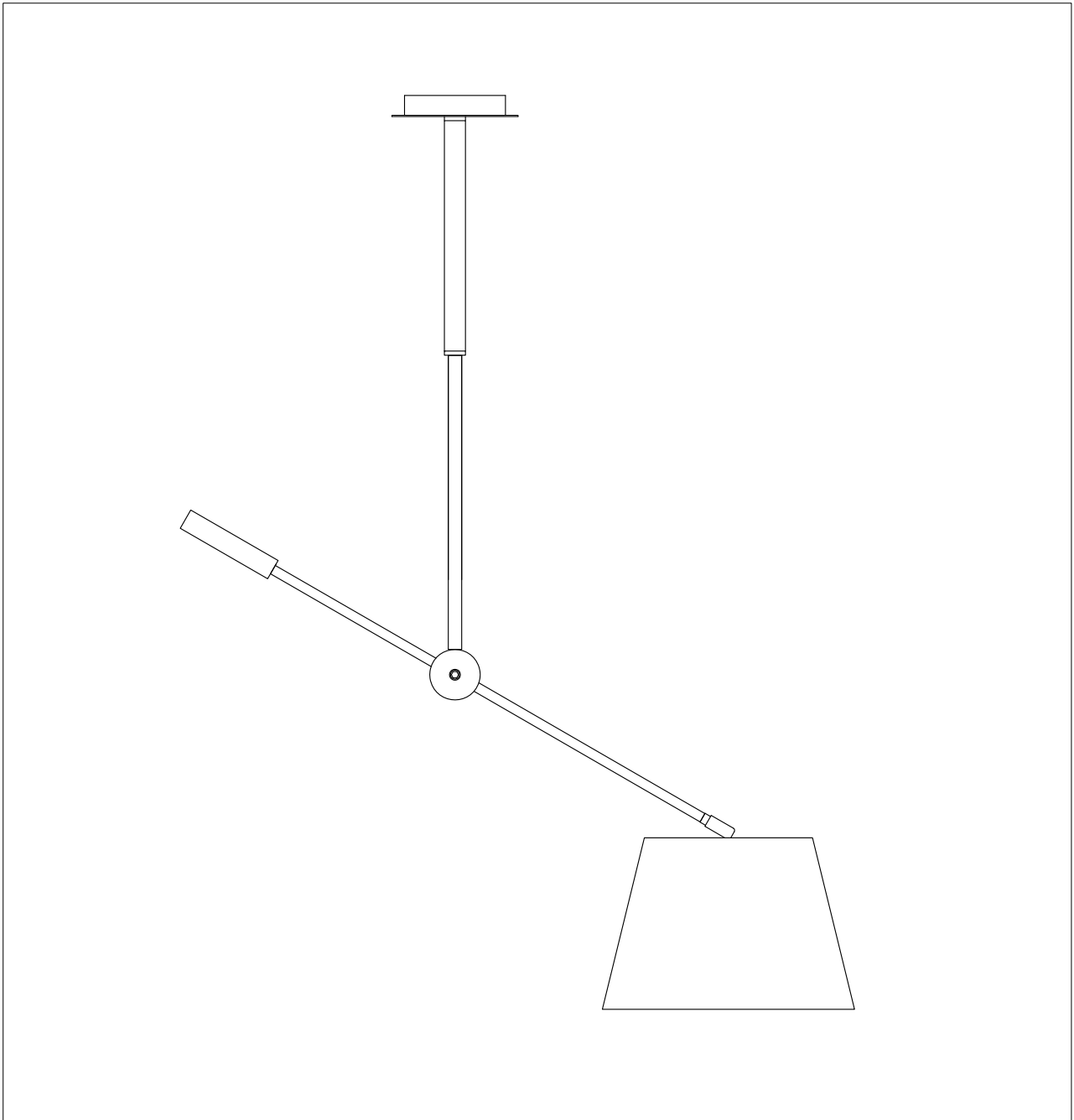




PRODUCT NAME: HOTEL
ITEM NUMBER: 60143WAPC

Please consult your electrician for hanging fixture and wiring.

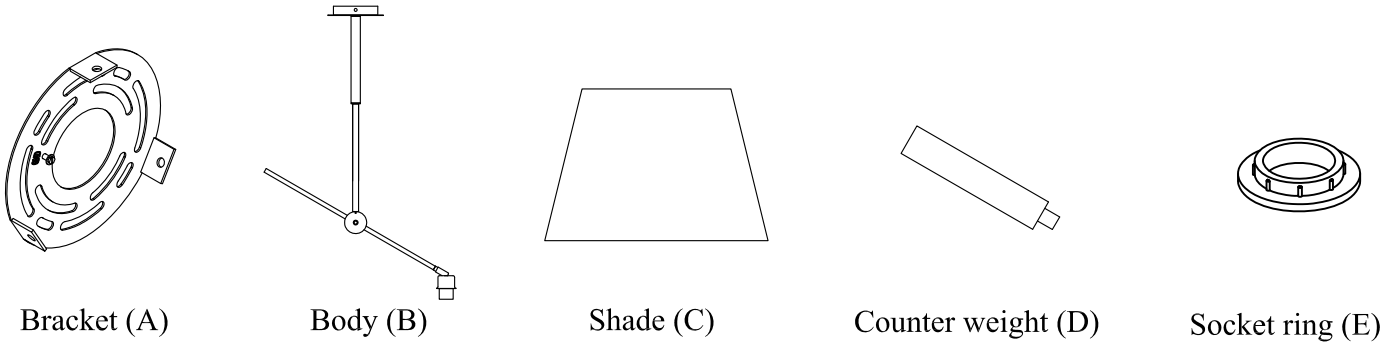


E26 1X16W

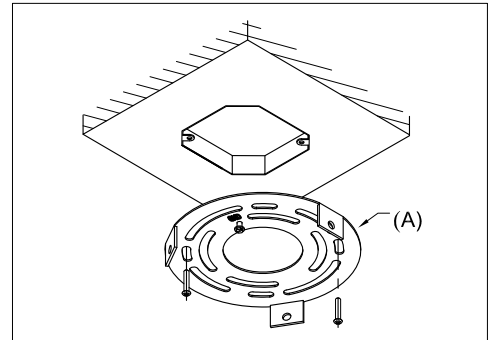
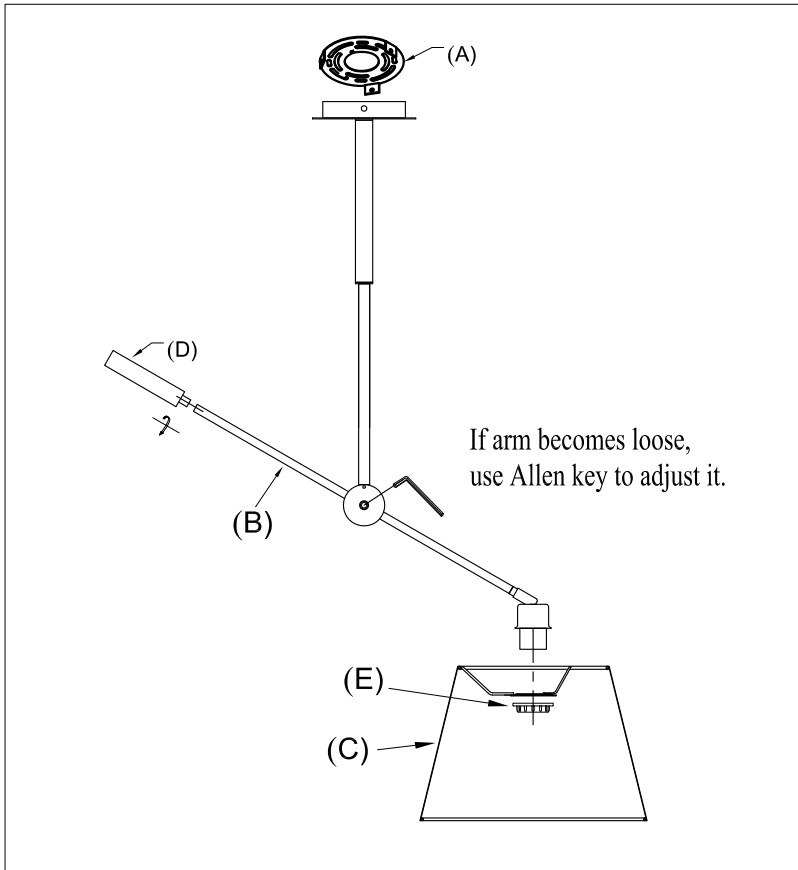
PRODUCTS ARE NOT INTENDED
FOR COMMERCIAL USE.

MADE IN CHINA
Page 1 of (2)

IMPORTANT: Turn off the power at the main fuse or circuit breaker box before starting installation

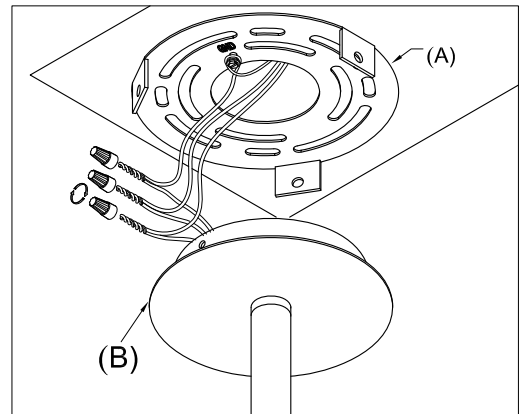


Locate all hardware & components before discarding packaging



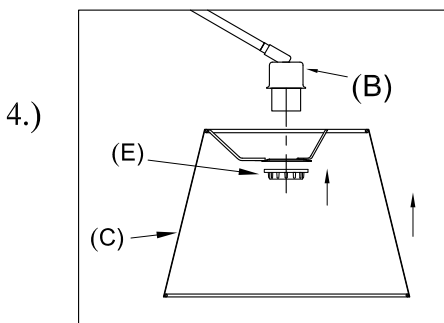
1.)

Step 1: Remove mounting bracket (A) from fixture and install to electrical box.



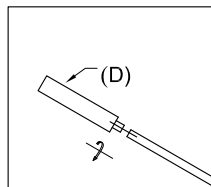
2.)

Step 2: Wire fixture to wires in outlet box. Copper wire is for ground

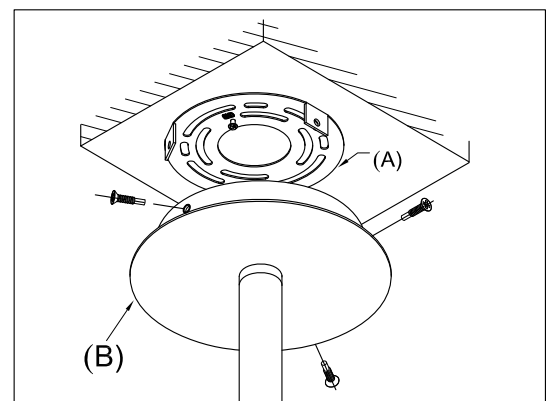


4.)

Step 4: Remove the socket ring (E) from fixture (B). Attach shade (C) and secure using socket ring (E).



Step 5: Thread the counter weight (D) to the body (B).



3.)

Step 3: Attach the body (B) to the mounting bracket (A) using three screws provided.

Cleaning & Care:

Clean with soft cloth and a mild detergent.
Do not use abrasive cleaner.