

WAC LIGHTING

VENTRIX Stealth Tube

Fixture Type: _____

Catalog Number: _____

Project: _____

Location: _____

System	Model	Power	Beam	Color Temp	CRI	Lumens	CBCP	Housing Finish	Trim Finish		
S2	STA-1 STB-1 STC-1	15W	S 20°	927 2700K	90	1205	5005	BK Black WT White	BK Black		
				930 3000K		1280			CH Chrome		
				935 3500K		1345			GL Gold		
							940 4000K		1370		HZ Haze
											WT White
			N 38°	927 2700K	90	1160	2145	BK Black WT White	BK Black CH Chrome GL Gold HZ Haze WT White		
				930 3000K		1230				2275	
				935 3500K		1295				2390	
							940 4000K		1320		2440
F 50°	927 2700K	90	1280	1790	BK Black WT White	BK Black CH Chrome GL Gold HZ Haze WT White					
	930 3000K		1355				1900				
	935 3500K		1425				1995				
				940 4000K		1455		2035			

Example: S2STC-1-F930BKBK



Configuration "A" for mid-channel surface or suspended VENTRIX systems

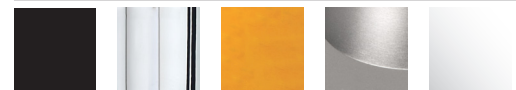


Configuration "B" for L, X, T or end of run channel locations on surface or suspended VENTRIX systems



Configuration "C" for recessed trim or trimless VENTRIX systems

FINISHES



Black Chrome Gold Haze White

PRODUCT DESCRIPTION

Installed anywhere along a channel or side by side in pairs, Stealth Cube and Tube provide beautiful, glare-free illumination. They can be adjusted with various optics and trims in the field to raise the level of design customization.

FEATURES

- Low glare trim with 25° shielding angle
- Interchangeable trim available in 5 finishes
- May be installed side by side or at L, X, T or end of run locations of VENTRIX channel
- Stealth Tube may be installed in surface, suspended or recessed VENTRIX system
- To enable access to VENTRIX element releasing tabs, maintain at least 3" of free channel space
- Driver concealed within the fixture
- 5 year warranty

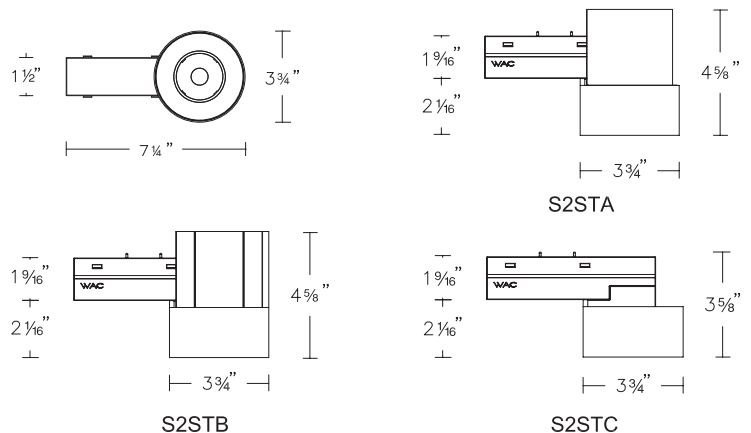
TUBE REPLACEMENT TRIMS

Black Trim	REF-S2ST-BK
Chrome Trim	REF-S2ST-CH
Gold Trim	REF-S2ST-GL
Haze Trim	REF-S2ST-HZ
White Trim	REF-S2ST-WT

SPECIFICATIONS

Construction:	Die-cast aluminum with injection molded low glare trim
Power:	15W
Input:	48 VDC
Dimming:	ELV: 100-0.1%, TRIAC: 100-0.1%, 0-10V: 100-0.1%
Light Source:	Integrated LED, 3 Step Mac Adam Ellipse
Rated Life:	50000 Hours
Mounting:	Installs magnetically and mechanically into VENTRIX system
Finish:	Injection Molded Polycarbonate: Black, Chrome, Gold, Haze, White
Operating Temp:	-4°F to 104°F (-20°C to 40°C)
Standards:	UL, cUL, Dry Location Listed, Title 24 JA8-2019 Compliant

LINE DRAWING



wacighting.com

Phone (800) 526.2588

Fax (800) 526.2585

Headquarters, East Manufacturing Facility

44 Harbor Park Drive

Port Washington, NY 11050

South East Manufacturing Facility

1600 Distribution Ct

Lithia Springs, GA 30122

Central Manufacturing Facility

1700 South J Elmer Freeway, Ste 100

Cedar Hill, TX 75104

West Manufacturing Facility

1750 S Archibald Ave

Ontario, CA 91761