

WARNING:

This fixture is intended for installation in accordance with the National Electrical Code (NEC) and all local code specifications. If you are not familiar with code requirements, installation by a certified electrician is recommended.



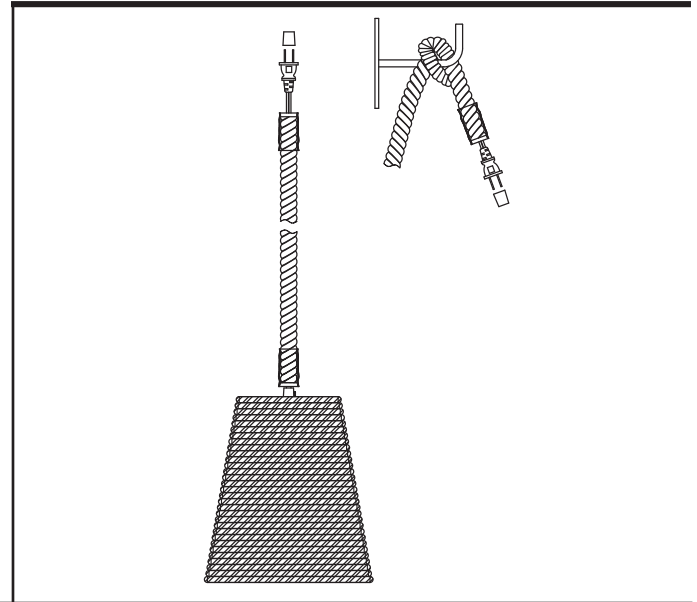
ANY QUESTIONS CALL: 800-613-3261
M-F 8:00AM-6:00PM ET

CAUTION: To prevent shock, only plug in lamp after lamp assembly is complete.

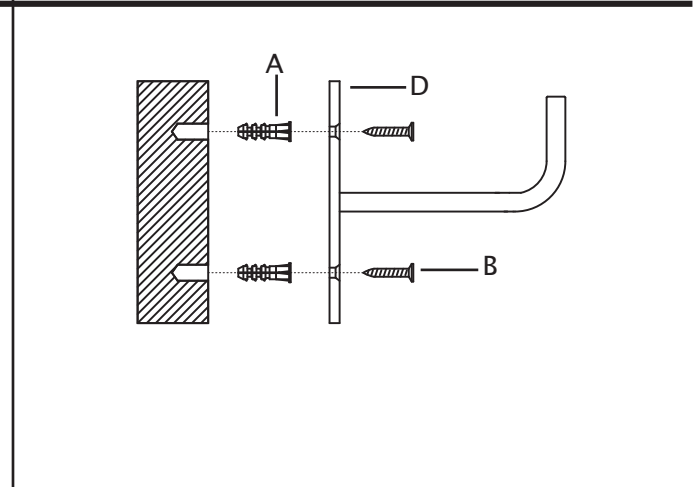
WARNING: This portable lamp has a polarized plug (one blade is wider than the other). As a safety feature, this plug will fit in a polarized outlet only one way. If the plug does not fit fully in the outlet, reverse the plug. If it still does not fit, contact a qualified electrician. Never use with an extension cord unless plug can be fully inserted. Do not attempt to work around this safety feature.

Before assembly, remove all parts and part packages from box. If anything is missing, please contact the retailer from which the product was purchased.

ITEM#: D3800



1. Place backplate (D) on wall at desired location for pendant light. Mark on the wall the location of each hole in backplate (D). Place backplate (D) aside.
2. Drill a hole at each marked location on wall using a drill bit the correct size for wall anchors (A).
3. Using a hammer, carefully tap one wall anchor (A) into each hole in wall. Top of wall anchors (A) should be flush with wall.
4. Place backplate (D) against wall. Align holes in backplate (D) with wall anchors (A). Thread one screw (B) into each hole backplate (D) and into wall anchors (A). Tighten screws (B) to secure backplate (D) to wall.



5. Wrap pendant cord (C) around hook on backplate (D). Ensure there is enough cord (C) for plug to reach wall outlet. Tie cord (C) in knot on hook on backplate (D) to secure cord (C).
6. Insert recommended bulb (not included) into socket. **WARNING:** Verify correct bulb wattage marked on socket of lamp. DO NOT exceed maximum bulb wattage.
7. Insert plug on cord (C) into wall outlet.

