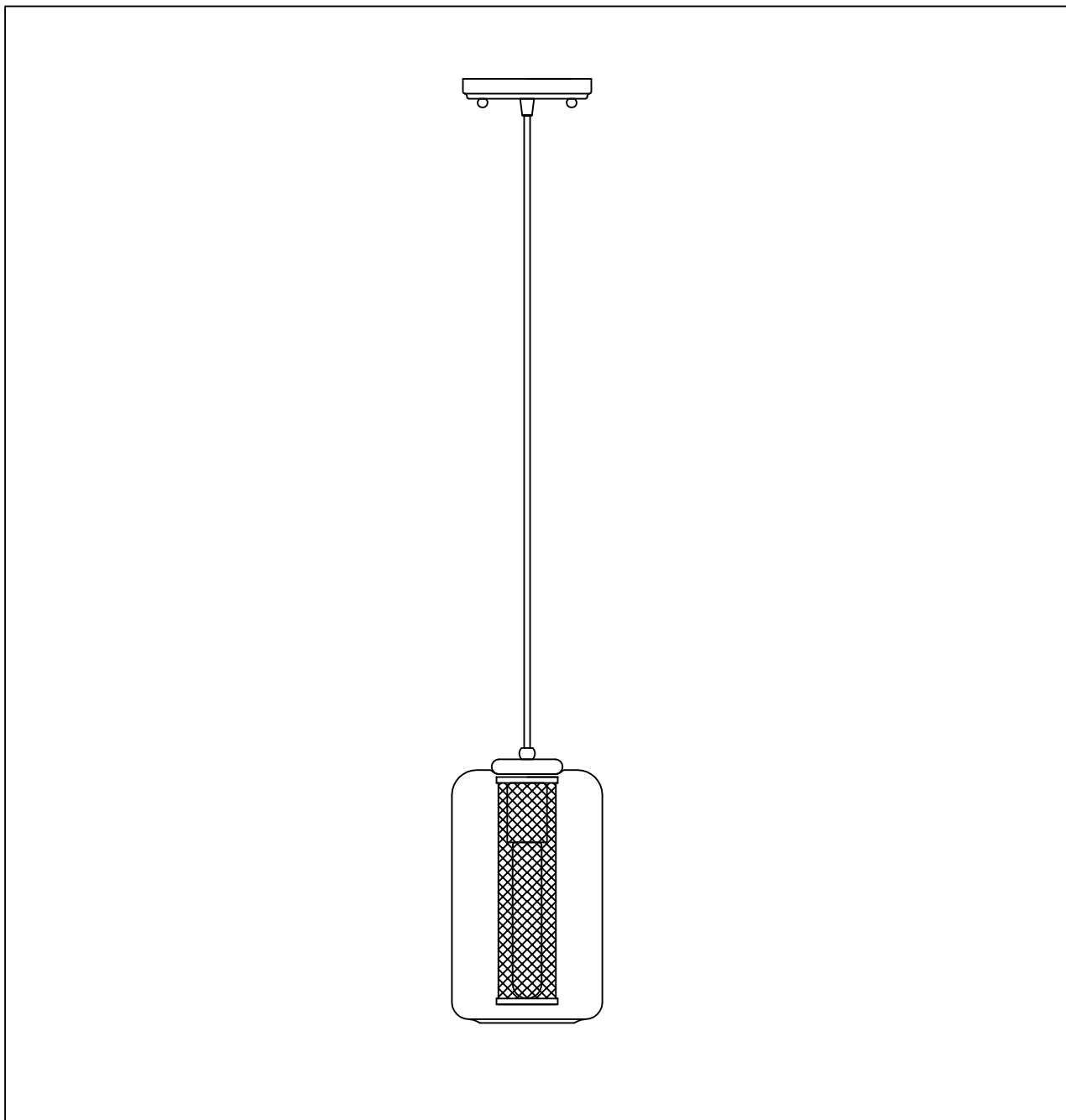




PRODUCT NAME: Firely 1-Light Pendant  
NUMBER: 10088

Please consult your electrician for Hang fixture and wiring.



Bulb (Not included) : 1\*MB 60W

**IMPORTANT:** Turn off power at the main fuse or circuit breaker box before starting installation



(A) Bracket



(B) Ball nut

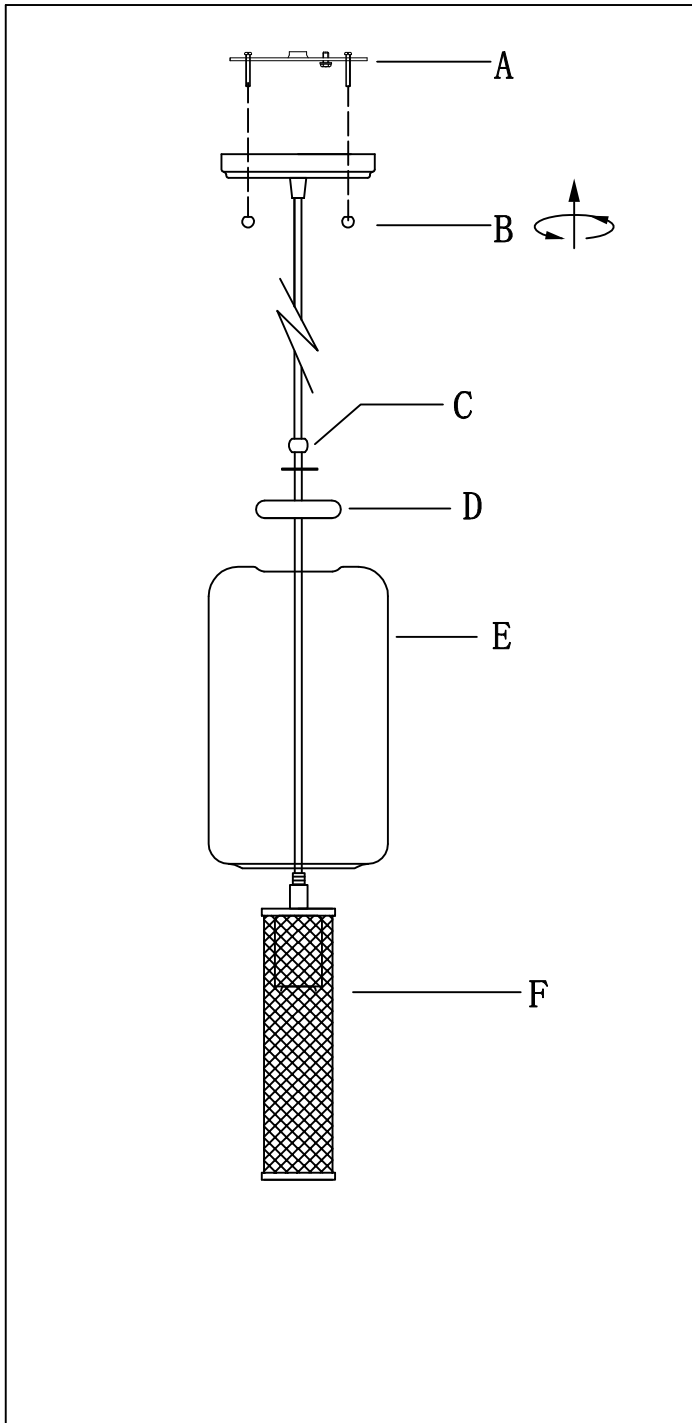


(C) Lock nut

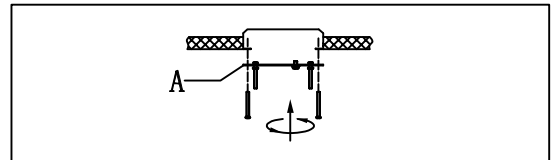


(D) Part

**Locate all hardware & components before discarding packaging**

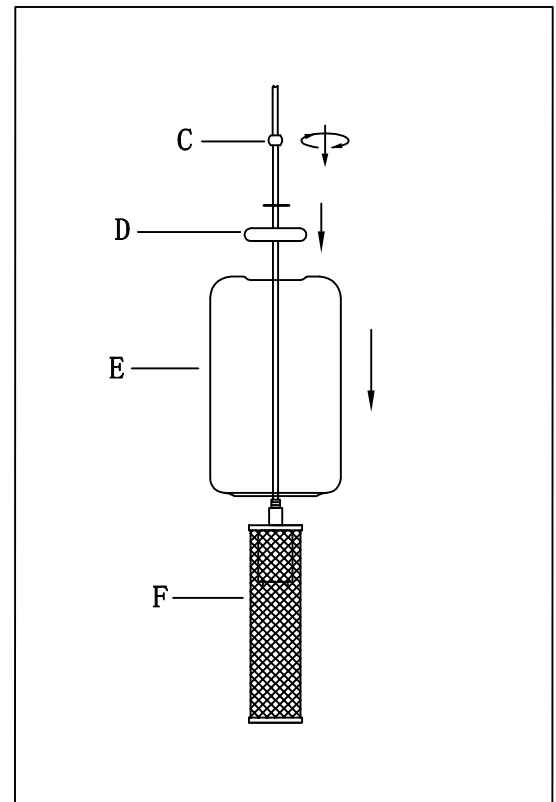


1.)



**Step. 1:** Remove mounting bracket (A) from fixture and install to electrical box.

2.)

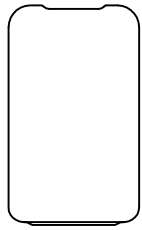


**Step. 2:** Use lock nut (C) to secure body (F) on the top of glass (E).

**Cleaning & Care:**

Clean with soft cloth and a mild detergent.  
Do not use abrasive cleaner.

**IMPORTANT:** Turn off power at the main fuse or circuit breaker box before starting installation

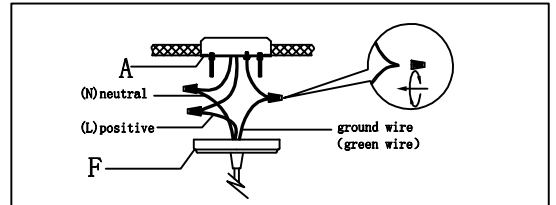
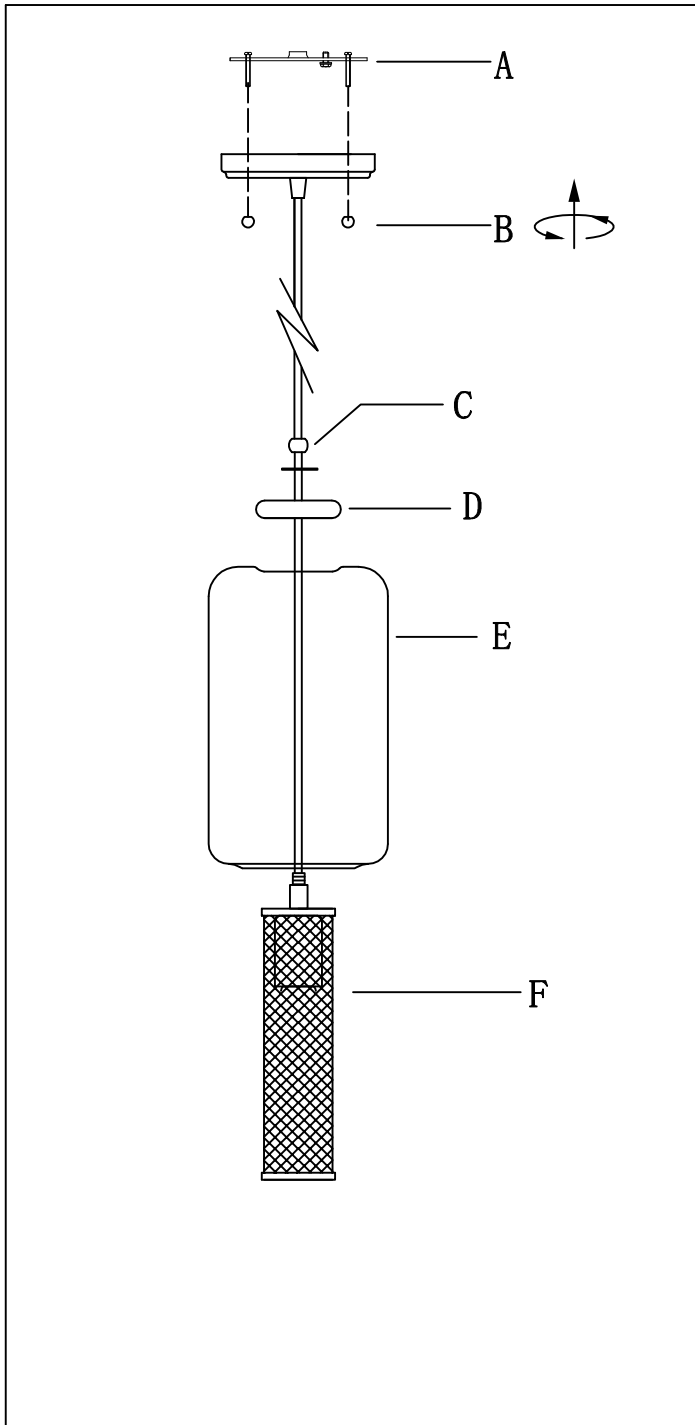


(E) Glass



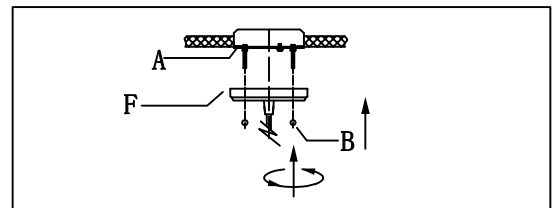
(F) Body

**Locate all hardware & components before discarding packaging**



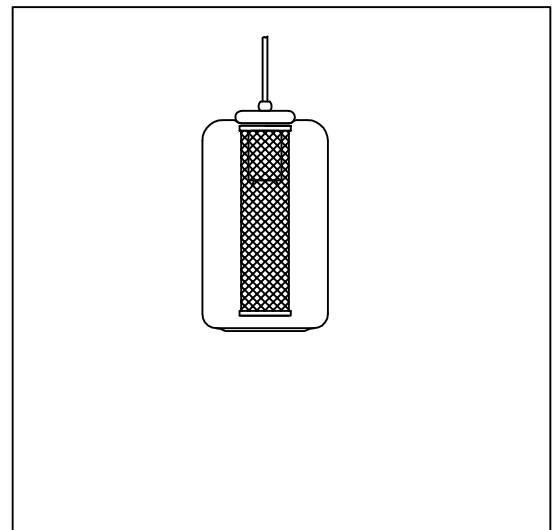
3.)

**Step. 3:** Wire fixture to wires in outlet box. Copper/Green wire is for Ground.



4.)

**Step. 4:** Install fixture to bracket and tighten ball nuts (B) on the canopy to secure.



4.)

**Step. 4:** Install the bulu.

**Cleaning & Care:**

Clean with soft cloth and a mild detergent.  
Do not use abrasive cleaner.