

Assembly Instruction Sheet #IS-1238W9 For Style 1238W9

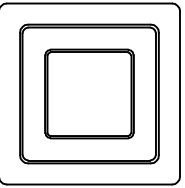
Tools Required: Flathead screwdriver, Phillips screwdriver, pliers, wire cutters, wire strippers, electrical tape, safety glasses.
Light Source: (1) 120V LED 1W DIMMABLE (2000K)
Estimated Assembly Time: 10-20 minutes

Preparation: Identify and inspect all parts before beginning installation. Check package content list and diagrams below to be sure all parts are present. If any parts are missing or damaged, do not attempt to assemble, install, or operate the fixture. Contact customer service for replacement parts.

⚠ Warnings and Cautions

Turn off electricity at circuit breaker or main fuse box before installation. Consult a licensed electrician if in doubt. These instructions are provided for your safety. It is very important you read them completely before installing the fixture. We strongly recommend that a licensed, professional electrician perform the installation. Disconnect fixture from power source before replacing bulbs. Make sure bulbs are given sufficient time to cool before removal.

Package Contents



A Fixture Body x1

PART	DESCRIPTION	QUANTITY
AA	Mounting Screw	2pcs
BB	Electrical Nuts	2pcs
CC	Outlet Box Screw	2pcs
DD	Crossbar	1pcs



STEP 1 – Attach Mounting Screws, Lock Washers and Hex Nuts to Crossbar.
A. Line up a set of holes on the Crossbar (EE) and Holes on the Backplate.

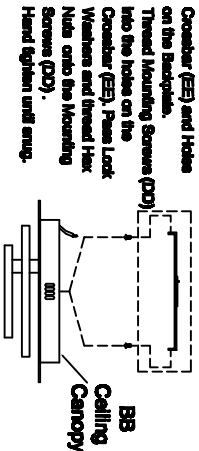


Figure 1

STEP 2 – Attach Crossbar to Outlet Box.
A. Pass the supply wires through the Crossbar (DD). Attach the Crossbar (DD) to the Outlet Box (CC) with the head of the Green Ground Screw (CC) facing you. Secure it with Outlet Box Screws (not included). Tighten until snug.

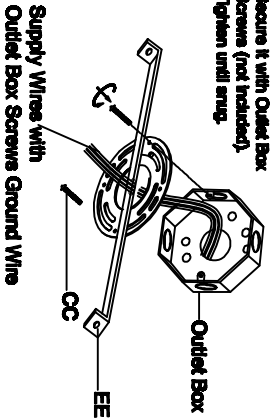


Figure 2

STEP 4 – Wire Connections

A. Use standard wire connections (not included) to make all wire connections. Tight connections and wires are tightly joined together. Wrap each connection with approved electrical tape and carefully stuff all the connected wires into the Outlet Box.

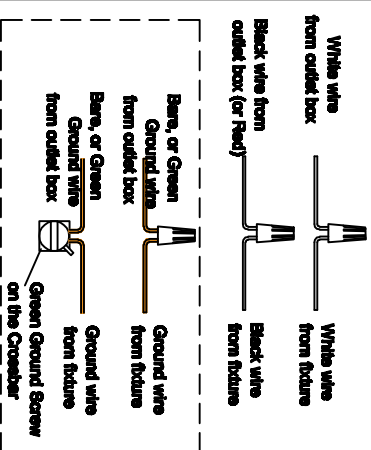


Figure 3

STEP 5 – Install Backplate to Ceiling.

A. Place Backplate over the Mounting bracket (DD). Line up the hole on the Backplate and the mounting hole on the Mounting bracket, secure by threading Mounting Screw (CC) into the Mounting bracket (DD), tighten until snug.

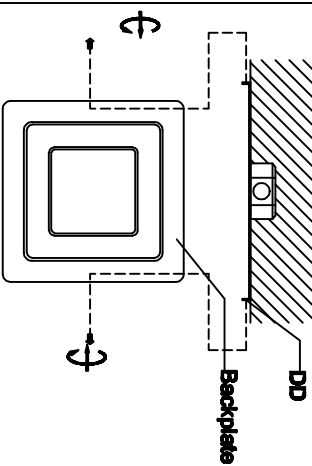


Figure 4