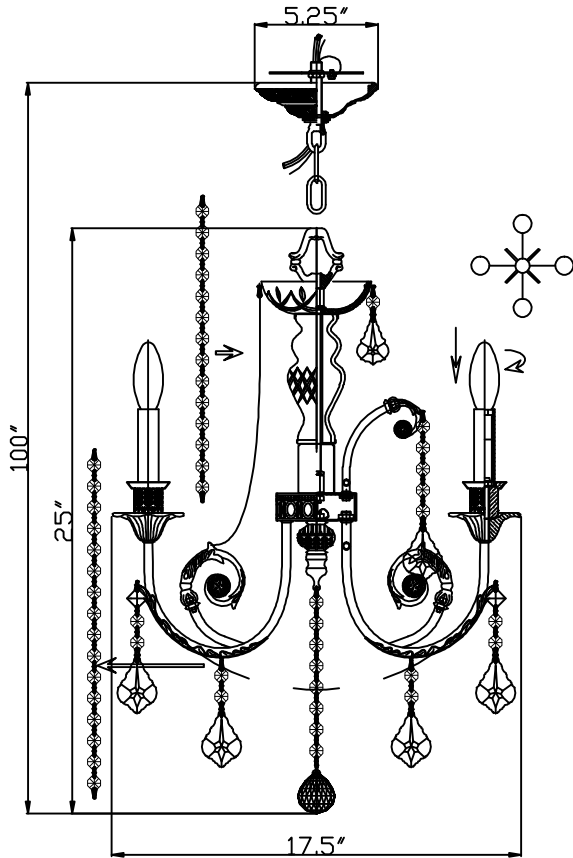


# CRYSTORAMA

LIGHTING THE WAY FOR SIXTY YEARS

ASSEMBLY INSTRUCTION MODEL #5114-OS-CL-MWP



All electrical components must be installed by a licensed electrician in accordance with the National Electric Code and the appropriate local electrical codes.



You will need 4 - Cand. Bulb

40 Watts Recommended

60 Watts Max

USE LED BULBS FOR EXTENDED USE

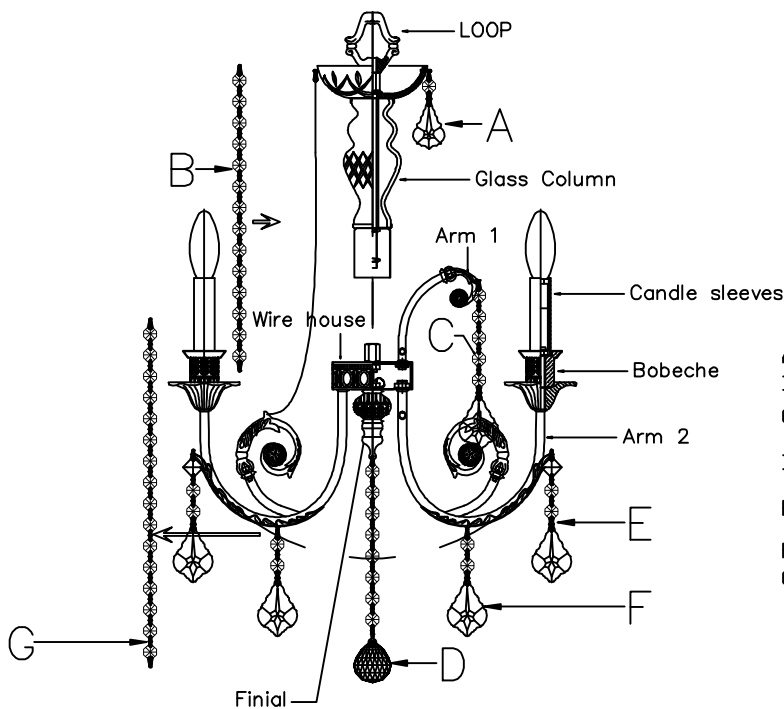
This fixture is damp rated

### How to Install

1. Do a complete inventory of all parts and components before you start installing.
2. After safely attaching fixture into outlet box, install bulbs (not included) and proceed to connecting the power.
3. IMPORTANT Apply crystal sets in alphabetical order.

### Crystal sets

- A. 4 pieces. (1)14mm+(1)50mm.
- B. 4 pieces. (14)14mm.
- C. 4 pieces. (5)14mm +(1)62mm.
- D. 1 piece. (8)14mm +(1)40mm.
- E. 4 pieces. (1)16mm+(2)14mm+(1)62mm.
- F. 4 pieces. (2)14mm +(1)62mm.
- G. 4 pieces. (16)14mm.



- A= (14mmX1+50mm)X4Sets
- B= (14mmX14)X4Sets
- C= (14mmX5+62mm)X4Sets
- D= (14mmX8+40mm ball)X1Set
- E= (16mm+14mmX2+62mm)X4Sets
- F= (14mmX2+62mm)X4Sets
- G= (14mmX16)X4Sets

WARNING: This product can expose you to Lead, which is known to the State of California to cause cancer and/or birth defects or reproductive harm. For more information go to [www.P65Warnings.ca.gov](http://www.P65Warnings.ca.gov)

# CRYSTORAMA

LIGHTING THE WAY FOR SIXTY YEARS

**PART NUMBER** MODEL #5114-OS-CL-MWP

## Part Number

### Part Numbers

- A. (1)—Mounting hardware
- B. (1)—Canopy; W5.25"XH1.5"; XSU51140SCAN5.25IN
- C. (1)—Chain; 72";  $\Phi$ 4.0mm; XSU51140SCHA4MM
- D. (1)—LOOP
- E. (1)—Glass Column
- F. (1)—Wire house
- G. (4)—Arm 1
- H. (1)—Finial; XSU51140SFIN
- I. (4)—Candle sleeves;  $\Phi$ 0.87"X3.35"; XSU51140SCDL3.35IN
- J. (4)—Bobèche; XSU51120SBOB
- K. (4)—Arm 2

