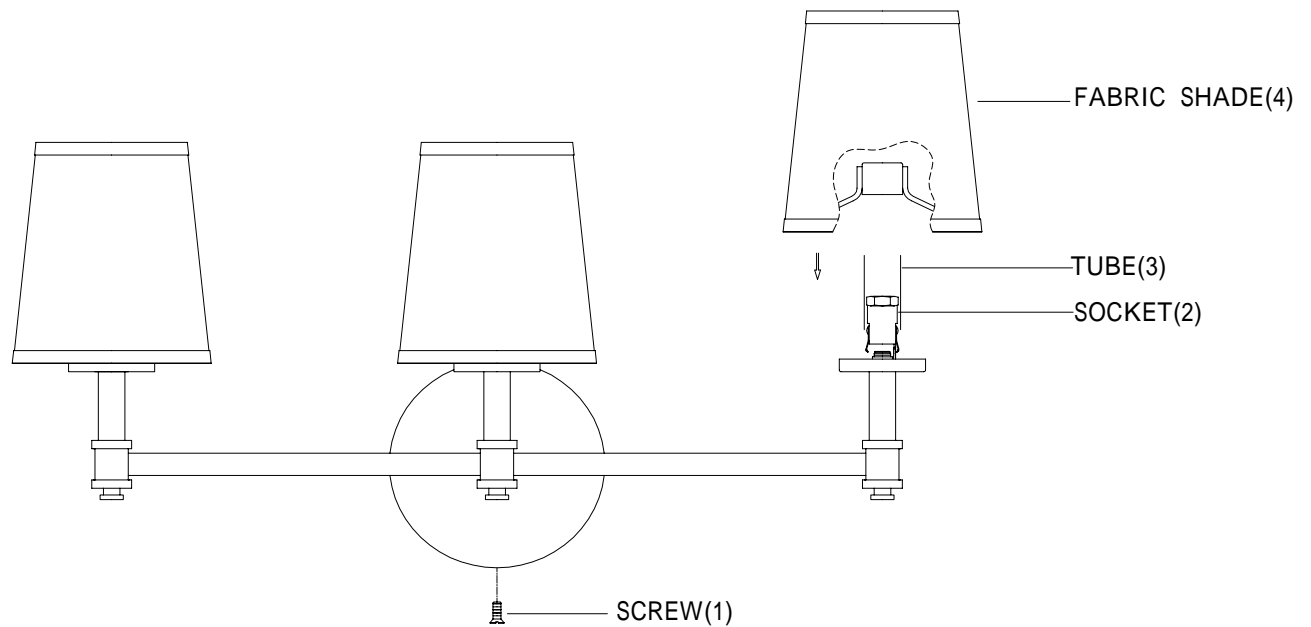


ITEM NO: M80050NB

M80051NB



INSTALLATION INSTRUCTIONS

1. Carefully remove the fixture out of the carton, and check that all parts are included referring to the above illustration. Make sure not to misplace any parts that are needed for the installation;
2. Install the tube (3) onto socket (2), onto the fabric shade(4).
3. Fixture is ready for lamping and installation.