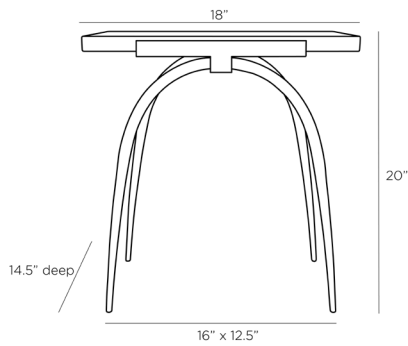


# ARTERIOS

## BAHATI ACCENT TABLE



4698

H: 20 IN, W: 18 IN, D: 14.5 IN

Blackened

Contract Recommendations: Adding a lacquer coating provides additional protection

Natural stone requires periodic sealing

The Bahati table is created with a sandblasted white marble top perfectly poised atop an iron bracket and curved iron legs. The natural iron has been hand-forged, yielding delicate details along its graceful, thin frame. Marble will vary. For a matte finish on the legs, lightly brush the iron with a scotchbrite pad to take down the sheen.

### APPEARANCE

Material	Iron, Marble
Finish	Natural Iron, White Sandblasted
Finish Will Vary	true
Top Coat/Sealant	true

### DIMENSIONS

Foot Print	W: 16 IN, D: 12.5 IN
Leg	H: 18 IN, W: 1, D: 1
Table Top	H: 1 IN, W: 18 IN, D: 14 IN
Clearance	18"
Diagonal Dimension	25 IN

### SHIPPING

Product Weight	61.5 LBS
Gross Weight 1	53 LBS
Shipping Box 1	H: 21 IN, L: 17.5 IN, W: 22 IN

### ADDITIONAL INFO

Leg Or Foot Application N/A

### CONTRACT

Contract Suitable Adding a lacquer coating provides additional protection, Natural stone requires periodic sealing