

INSTALLATION INSTRUCTION

H / L / J Track Suspension Kit

SK18, SK24, SK36, SK48

WAC LIGHTING
Responsible Lighting®

NOTE: Canopy and rods are packaged separately.

CAUTION:

Always turn off power at fuse box prior to installation to prevent electrical shock.
For installation by a qualified electrician.

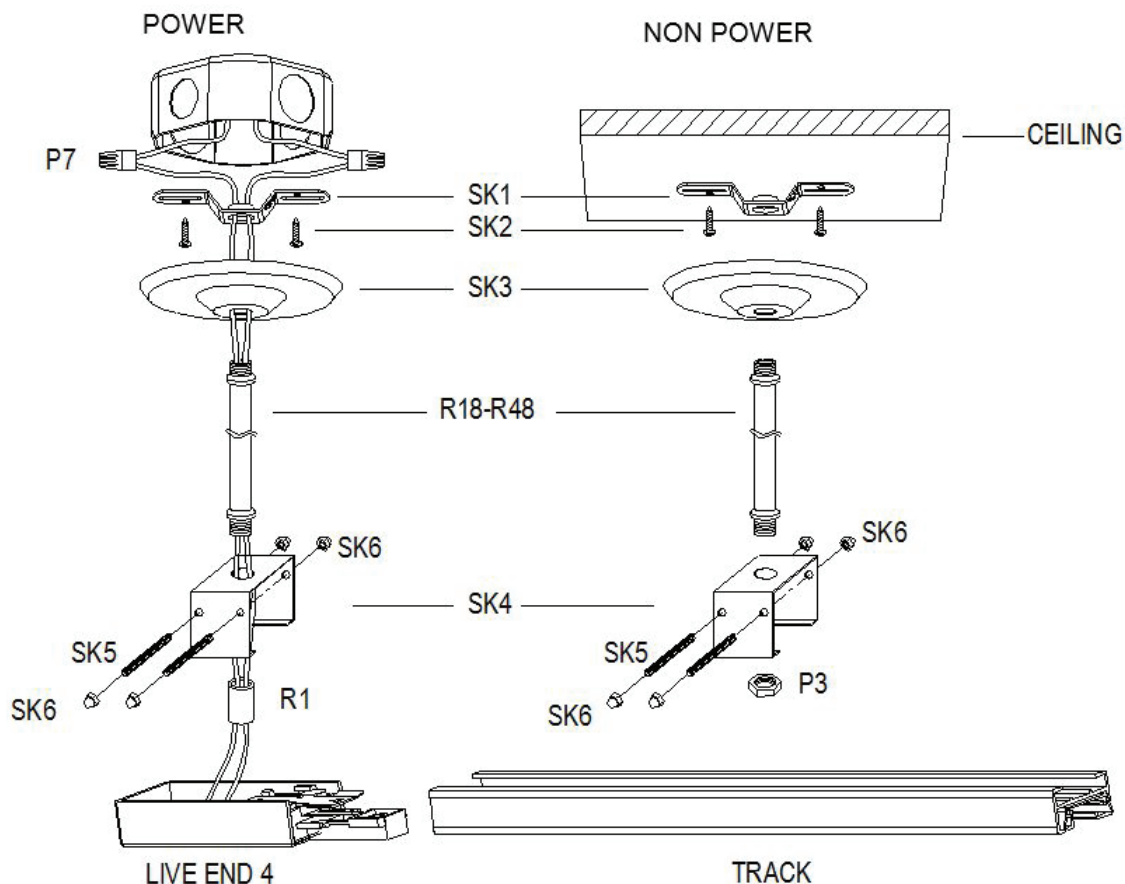
NON POWER END OF TRACK

1. Secure cross bar (SK1) up against ceiling.
2. Push extension rod (R18-R48) through the canopy plate (SK3) and tighten by screwing to the cross bar.
3. Attach the other end of the extension rod to the track clamp (SK4) with nut (P3).
4. Open the mouth of the clamp and insert the track into the clamp, and tighten it with cap nuts and threaded rods (SK6 and SK5)

POWER END OF TRACK

Install over a standard 4-inch junction box.

1. Attach cross bar (SK1) to the outlet box. With wire nuts (P7), connect the extension wires (not included) with the incoming wire in the outlet box.
2. Thread wire through the center opening of the cross bar and canopy plate to the extension rod (R18-R48).
3. Push extension rod up against the canopy plate and tighten by screwing into the cross bar.
4. Tighten the other end of the extension rod into the track clamp (SK4) with R1.
5. Complete wire connections with live end through the knockout of the live end.
6. Close live end and insert live end into the track clamp (SK4).
7. Tighten track clamp (SK4) with cap nuts and threaded rods (SK6 and SK5).



WAC Lighting
www.waclighting.com
Phone (800) 526.2588 • Fax (800) 526.2585

Headquarters/Eastern Distribution Center
44 Harbor Park Drive • Port Washington, NY 11050
Phone (516) 515.5000 • Fax (516) 515.5050

Western Distribution Center
1750 Archibald Ave • Ontario, CA 91761
Phone (800) 526.2588 • Fax (800) 526.2585