

Stock Code: **20447-BS/WHT**

Collection: Prong

PRODUCT INFORMATION

Base: 20447 Parent: 20447
Mounting Type: Wall UPC: 641594160192
Finish: Brushed Steel
Diffuser: White

PRODUCT MEASUREMENTS

FIXTURE	BACKPLATE / CANOPY
Length:	Length 6.75"
Width: 12"	Width: 11.25"
Diameter	Diameter:
Height: 7.5"	Height: 0.5"
Extension: 4"	
Overall Height:	

TECHNICAL SPECIFICATIONS

SPECIFICATIONS

Frame Material: Steel
Diffuser Material: Glass
Lamping Type: E-26 (Incandescent) Jbox: Standard
Lamping Base: E-26 Lamp Wattage: 60 W
Lamp Quantity: 2 Total Wattage: 120 W
Voltage: 120v Lamps Included: No

QUALIFICATIONS

Location Rating Damp
Certification: UL (US/Canada) Listed
ADA Compliant: No Energy Star: No
JA8 Compliant: No Emergency Lighting: No
Marine Grade: No Warranty: 1 Year

PHOTOMETRICS

Dimmable: Yes Nominal Lumens N/A
CRI: N/A Delivered Lumens: N/A
CCT: N/A
Recommended Dimmers:
(TRIAC)Any Standard Dimmer

Additional Notes:

Custom Finish 5 Piece Minimum Order Quantity

Project Name: _____

Location: _____

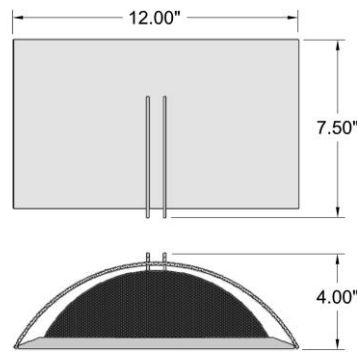
Type: _____

Quantity: _____

Notes:



LINE DRAWING



IES FILE

In addition to Access Lighting's purchase and warranty terms and conditions, by signing below or placing an order, you agree that you are authorized to bind the entity placing any order and acknowledge the following: All of sizes and measurements are approximate and all images are for illustrative purposes only. In the event of an inconsistency, the "Product Measurements" section controls. There also may be slight differences in the colors and designs compared to the displayed and printed images.

Signature: _____

Print Name _____ Date: _____

Toll Free 800-828-5483 www.AccessLighting.com

14410 Myford Road, Irvine, CA 92606

The information is subject to change without notice. 11/3/2022 20447-BS_WHT.pdf

