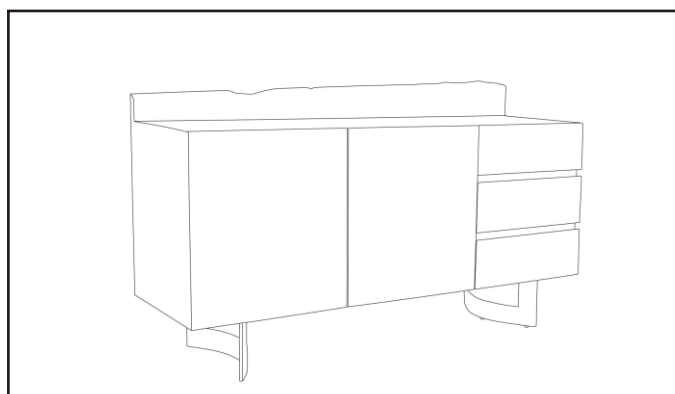


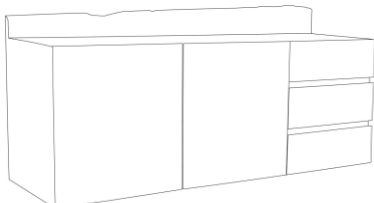

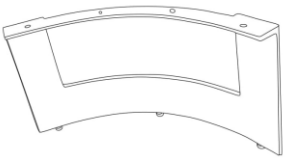
MOE'S

home collection

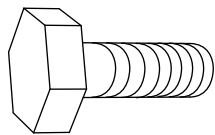

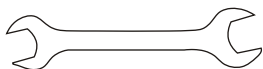
BENT SIDEBORD SMOKED
VE 1040-03
ASSEMBLY INSTRUCTIONS



Components:

<p>(A) Structure, 1x</p> 	<p>(B) shelf, 1x</p> 	<p>(C) leg, 2x</p> 
------------------------------------------------------------------------------------------------------------	---------------------------------------------------------------------------------------------------------	--------------------------------------------------------------------------------------------------------

Hardware and tools:

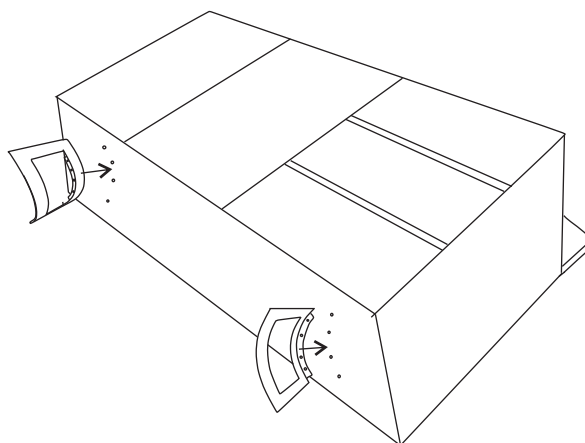
<p>(D) Hex Bolt, 8x</p> 	<p>(E) Washer, 8x</p> 	<p>(F) Spanner, 1x</p> 
-------------------------------------------------------------------------------------------------------------	-----------------------------------------------------------------------------------------------------------	--------------------------------------------------------------------------------------------------------------

Before beginning:

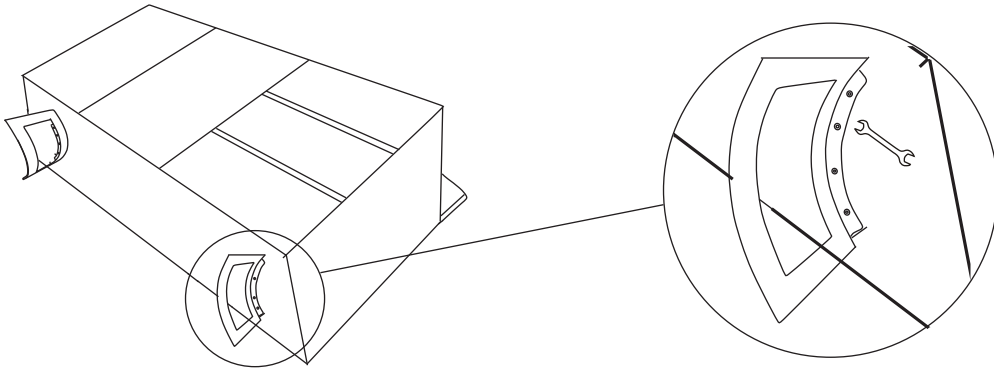
- Unpack all parts and hardware to ensure you have all needed components for assembly.
- Read this guide cover to cover before beginning assembly.
- Have 2 adults on hand for assembly.
- Assemble on a padded, non-marring surface.
- Save all packaging until finish.

Assembly steps

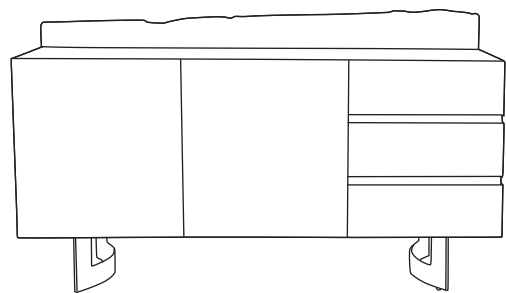
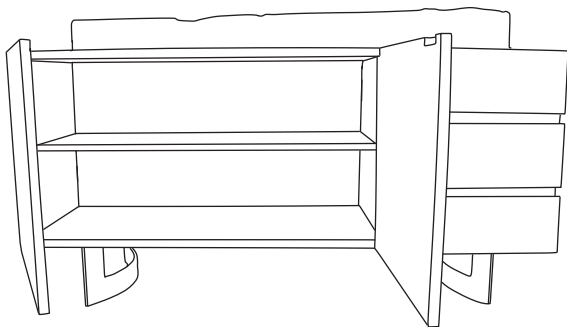
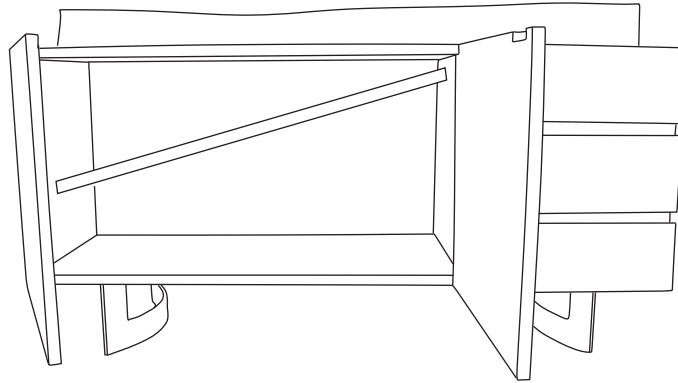
Step 1: Lay the Structure (A) on a soft surface, match the legs with the holes as shown in the Image



Step 2: Tighten the legs with the Bolt (D), Washer (E), Spanner (F) provided



Step 3: Turn the sideboard to its Right position ,place the Shelf (B) by tilting it diagonally as shown in the image.



Assembly complete.

Care Instructions:

- Do not clean furniture with harsh cleansers or polish.
- Do not put hot items directly on furniture surface.
- Do not put furniture in direct sunlight.
- Not for commercial use. For residential use only.
- Dust and pick up spills with a clean, non-colored, lint-free cloth.
- Stains may be removed with mild soap and damp cloth.

Thank you!