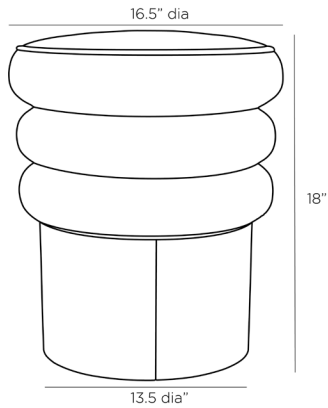


ARTERIOS

ROLLO OTTOMAN



6265
H: 18 IN, Dia: 16.50 IN
Black
Contract Suitable As Is

With its tufted design, our Rollo is imagined in a clever mix of materials and shapes. The modern ottoman is created in a decadent stack of black leather-wrapped cushions perched atop a channel-tufted, black suede drum base. Finishes will vary.

APPEARANCE

Material	Leather, Suede
Finish	Black
Finish Will Vary	true
Top Coat/Sealant	false
Textile Contract Suitability	High Traffic/Public Spaces

DIMENSIONS

Foot Print	Dia: 13.50 IN
------------	---------------

SHIPPING

Product Weight	10.5 LBS
Gross Weight 1	22.05 LBS
Shipping Box 1	H: 20 IN, L: 20 IN, W: 22 IN

ADDITIONAL INFO

Fabric Compliancy	NFPA-260, TB117-2013
Fabric Rub Count	N/A

CONTRACT

Contract Suitable	true
Fabric Composition	100% Leather