

**SEDONA**  
**492116**  
 PENDANTS

PROJECT



492116-BK  
 Black

**SPECIFICATION DETAILS**

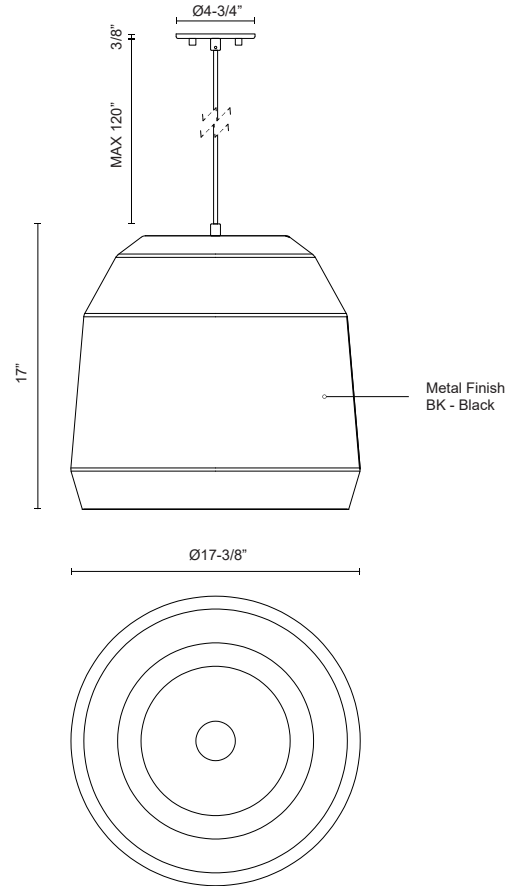
<b>Fixture Dimensions</b>	D17-3/8" x H17"
<b>Lamp Type</b>	Incandescent, Medium Base
<b>Wattage</b>	1 x 60W
<b>Voltage</b>	120V
<b>Shade Details</b>	Spun Aluminum Shade
<b>Adjustable</b>	Yes
<b>Wire Length</b>	120" Max
<b>Wire Type</b>	Black Braided Cord
<b>Minimum Hang Height</b>	22"
<b>Sloped Ceiling Adaptable</b>	Yes
<b>Location</b>	Dry
<b>Bulbs Included</b>	No
<b>Illumination Direction</b>	Downlight
<b>Paint Finish</b>	BK02
<b>Canopy Dimensions</b>	D4-3/4" x H3/8"

\* For custom options, consult factory for details.

\* For warranty information, please visit [www.kuzcolighting.com/warranty](http://www.kuzcolighting.com/warranty)

**DESCRIPTION**

Single-lamp pendant with faceted aluminum shade showcasing powder-coated finishes against a matte white interior. Exterior shade color in black. Suspended by cloth cable. Available in two sizes.



**KUZCO**

CANADA: 19054 28TH AVENUE - SURREY, BC V3Z 6M3  
 USA: 3035 E. LONE MOUNTAIN ROAD - LAS VEGAS, NV 89081

[WWW.KUZCOLIGHTING.COM](http://WWW.KUZCOLIGHTING.COM)

© 2019 KUZCO LIGHTING. ALL RIGHTS RESERVED.

**COMMENT**

