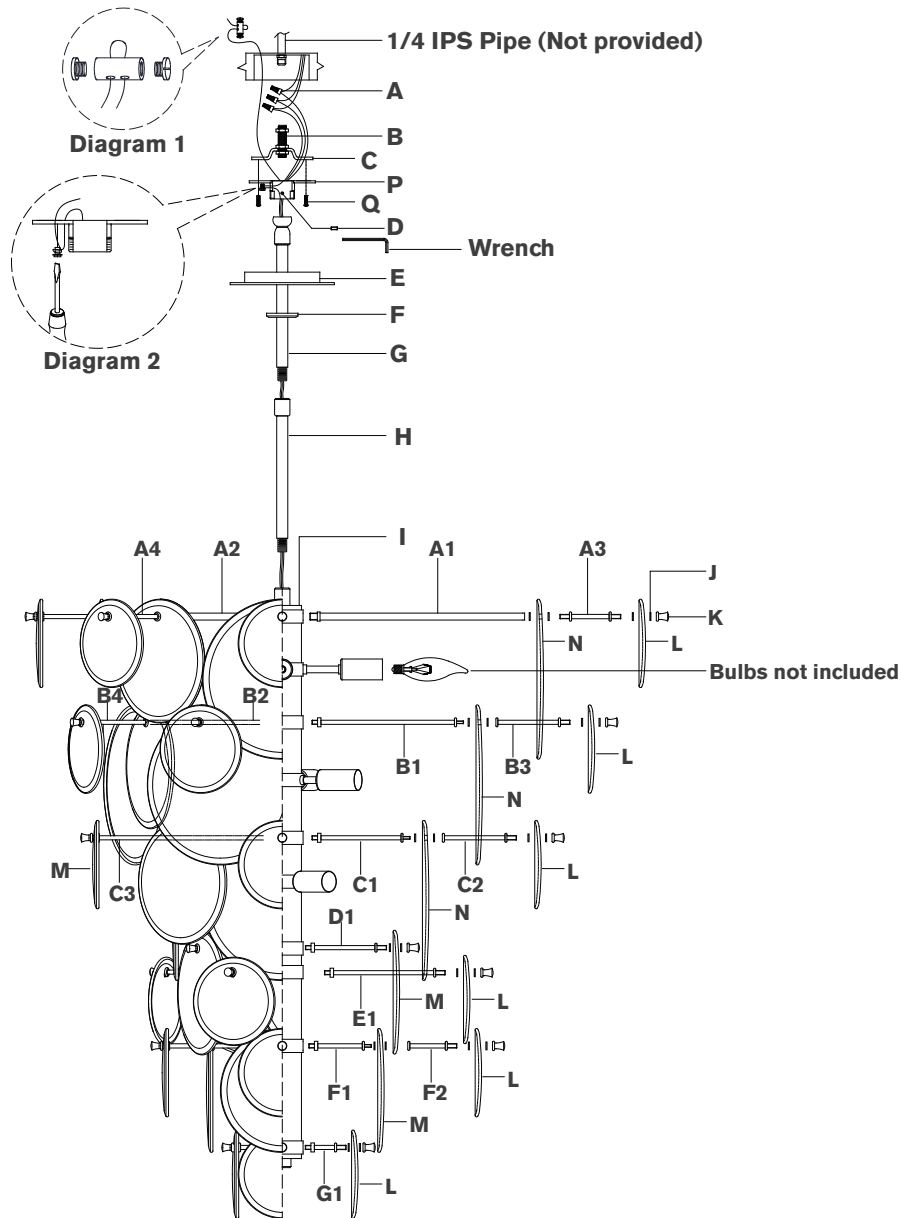


## ASSEMBLY INSTRUCTIONS



## Loire Cascading Chandelier

Item # ARN 5452

### NOTICE:

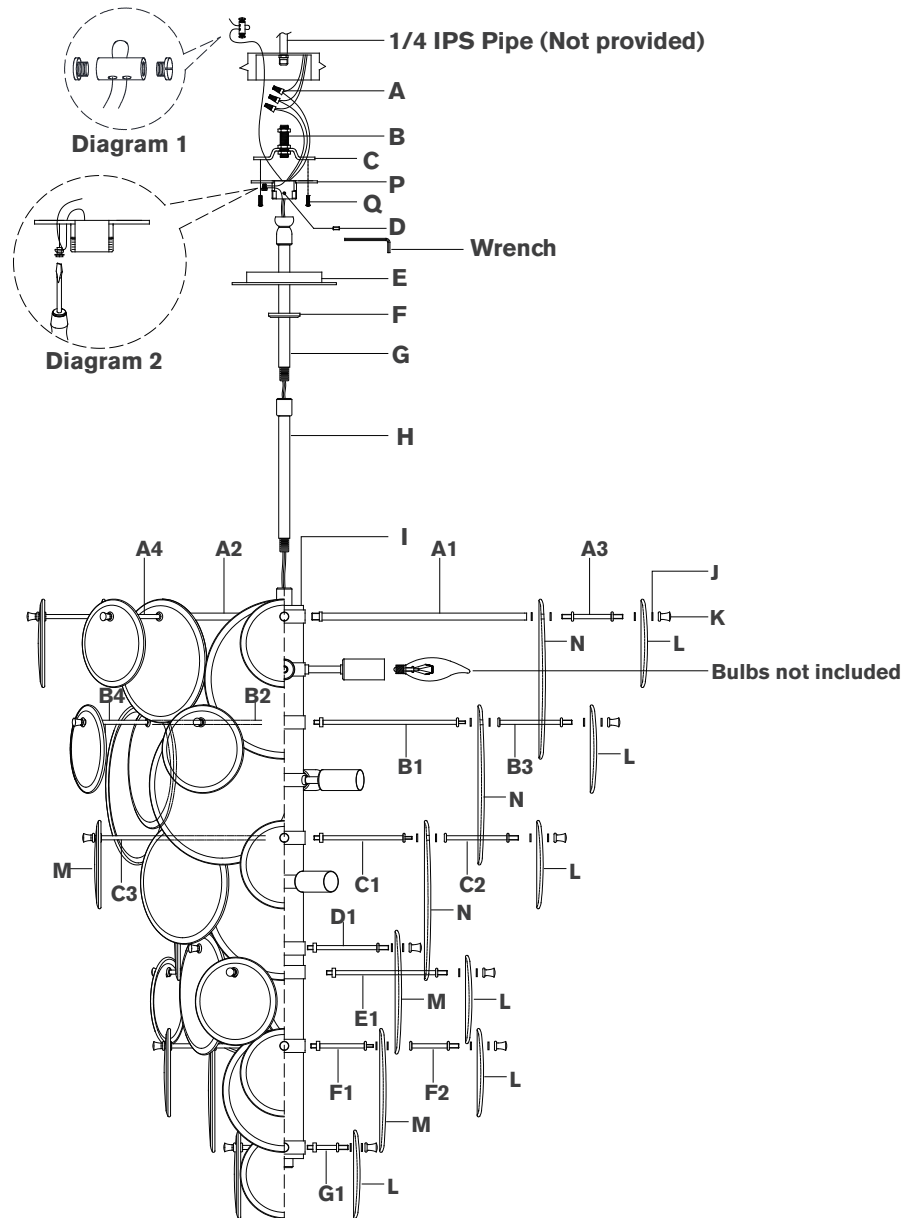
This light fixture should be installed in accordance with all applicable, local installation codes, and by a person familiar with the construction and operation of it, as well as the hazards involved. Inspect item and contents carefully. If any damage or defect is found, do not install. Retain all packaging material until installation is complete and approved.

### TOOLS REQUIRED (NOT INCLUDED):

Phillips Screwdriver	Slotted Screwdriver	Wire Cutters
Wire Strippers	Slip-joint pliers	

- Carefully remove all parts from the box. Place on a clean, soft surface.
- Remove mounting plate **(P)** from canopy **(E)** by removing collar ring **(F)**.
- It is recommended to install a 1/4 IPS threaded pipe, secured to a structural member of the building (not included). Then install hex nut and threaded nipple **(B)** into receiver and tighten with the wrench.  
**NOTE:** Item must be supported independent of the junction box due to weight.
- Install mounting bracket **(C)** to threaded nipple **(B)** and secure with hex nut.
- Install mounting plate **(P)** to mounting bracket **(C)** and secure with screws **(Q)**.
- Feed electrical wire, ground wire and safety cable through bottom rod **(H)** and connect to fixture body **(I)**.
- Continue feeding wires through collar ring **(F)**, canopy **(E)** and top rod **(G)**.
- Holding fixture upright, slide collar ring **(F)** and canopy **(E)** down and rest on fixture body **(I)**. Then connect top rod **(G)** to bottom rod **(H)**.  
**NOTE:** Slide components down slowly to avoid damages.
- Hang fixture swivel ball to center of mounting plate **(P)** and secure with set screw **(D)** using provided wrench.

## ASSEMBLY INSTRUCTIONS



## Loire Cascading Chandelier

Item # ARN 5452

### NOTICE:

This light fixture should be installed in accordance with all applicable, local installation codes, and by a person familiar with the construction and operation of it, as well as the hazards involved. Inspect item and contents carefully. If any damage or defect is found, do not install. Retain all packaging material until installation is complete and approved.

10. Cut excess wires, being sure to leave enough to reach the junction box.
11. Separate two sides of molded wire, and strip insulation on each 5/8".
12. Loosen cable lock and install to end of safety cable. Run safety cable through junction box and around structural member of building. Insert cable through cable lock and tighten the ends with a screwdriver to secure. (See diagram 1)
13. Wrap fixture ground wire (bare copper) around the green grounding screw (see diagram 2). Tighten. Continue fixture ground wire and connect to supply ground wire (usually green or bare copper) using wire nut **(A)**.  
**NOTE:** It is imperative that the fixture is grounded.
14. Connect fixture neutral wire (ribbed) to the supply neutral wire (usually white) using wire nut **(A)**.
15. Connect fixture hot wire (smooth with markings) to the supply hot wire (usually black) using wire nut **(A)**.  
**CAUTION:** Do not reverse the hot and neutral connections.
16. Make sure all wire connections are tight and tuck into the junction box.
17. Install canopy **(E)** to mounting plate **(P)** and secure with collar ring **(F)**.
18. Install light bulbs into the sockets.
19. Install glasses start from the bottom tier as shown below diagram.

## ASSEMBLY INSTRUCTIONS

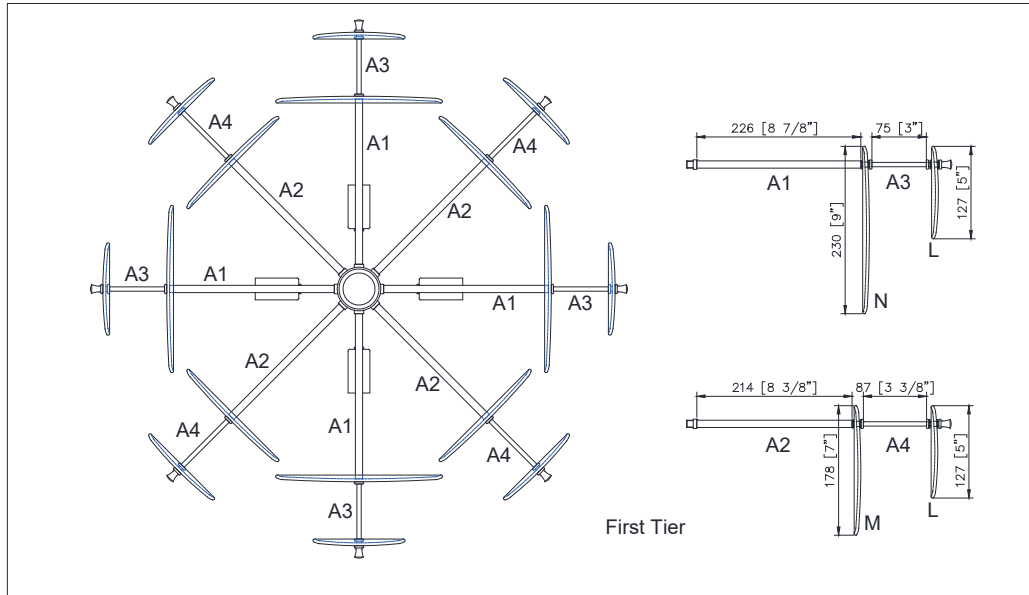


Diagram.3

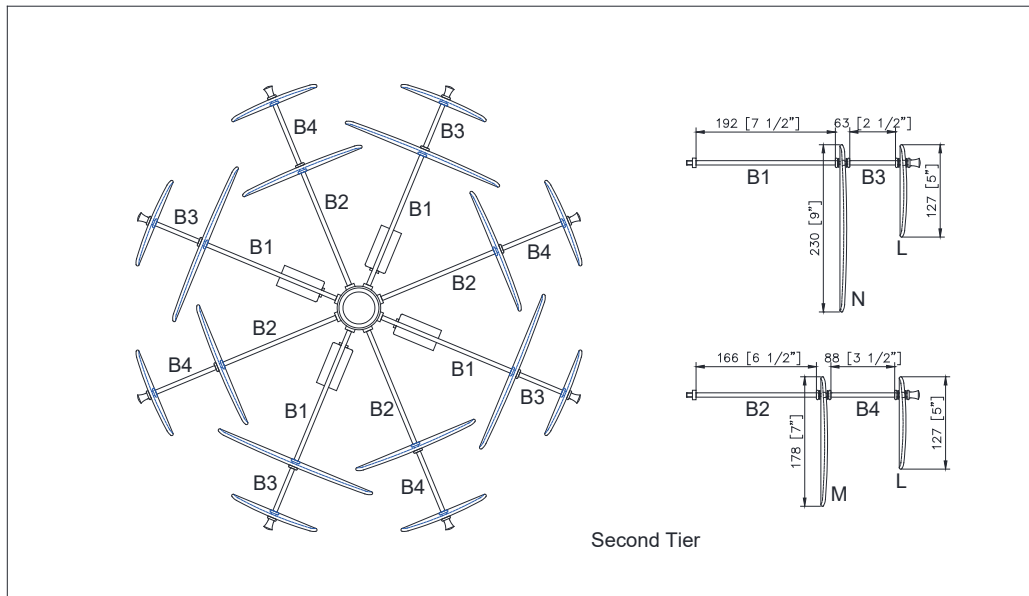


Diagram.4

## Loire Cascading Chandelier

Item # ARN 5452

### NOTICE:

This light fixture should be installed in accordance with all applicable, local installation codes, and by a person familiar with the construction and operation of it, as well as the hazards involved. Inspect item and contents carefully. If any damage or defect is found, do not install. Retain all packaging material until installation is complete and approved.

### To assemble the metal rods and glass disks:

1. Thread metal rods **(A1)** and **(A2)** to the center hub.  
**NOTE:** Metal Rods **(A1)** are located on the top of the first tier sockets. (See diagram 3)
2. Thread metal rods **(B1)** and **(B2)** to the center hub.  
**NOTE:** Metal Rods **(B1)** are located on the top of the second tier sockets. (See diagram 4)
3. Thread metal rods **(C1)** and **(C3)** to the center hub.  
**NOTE:** Metal Rods **(C3)** are located on the top of the third tier sockets. (See diagram 5)
4. Thread metal rods **(D1)**, **(E1)**, **(F1)** and **(G1)** to the center hub.
5. Loosen the finials **(K)** from metal rods **(G1)**, attach glass disks **(L)** to metal rods **(G1)** and secure with rubber washers **(J)** and finials **(K)**. (See diagram 6)
6. Remove metal rods **(F2)** from metal rods **(F1)**, attach glass disks **(M)** to metal rods **(F1)** and secure with rubber washers **(J)** and metal rods **(F2)**. (See diagram 6)
7. Loosen finials **(K)** from metal rods **(F2)**, attach glass disks **(L)** to metal rods **(F2)** and secure with rubber washers **(J)** and finials **(K)**. (See diagram 6)
8. Loosen finials **(K)** from metal rods **(E1)**, attach glass disks **(L)** to metal rods **(E1)** and secure with rubber washers **(J)** and finials **(K)**. (See diagram 6)
9. Loosen finials **(K)** from metal rods **(D1)**, attach glass disks **(M)** to metal rods **(D1)** and secure with rubber washers **(J)** and finials **(K)**. (See diagram 6)

## ASSEMBLY INSTRUCTIONS

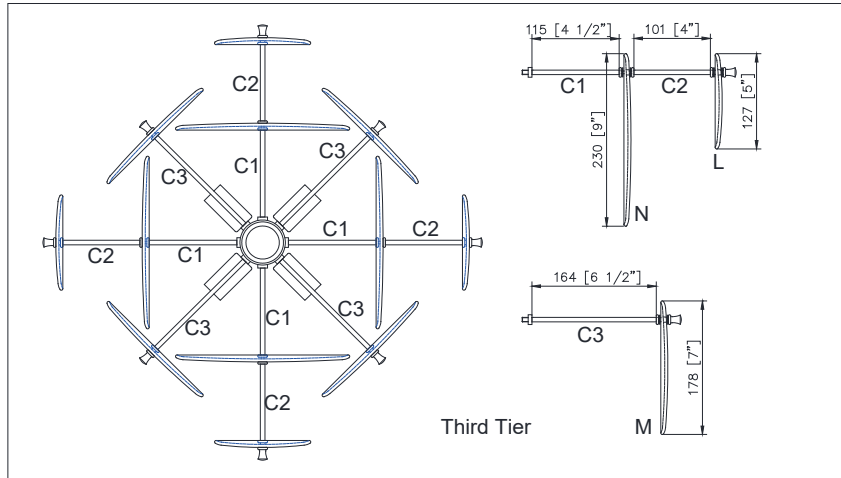


Diagram.5

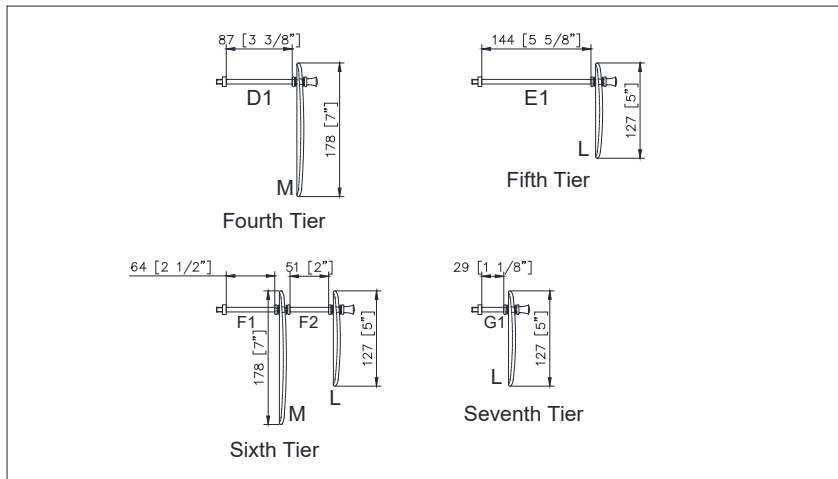


Diagram.6

## Loire Cascading Chandelier

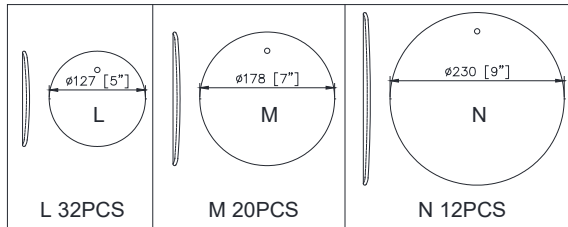
Item # ARN 5452

### NOTICE:

This light fixture should be installed in accordance with all applicable, local installation codes, and by a person familiar with the construction and operation of it, as well as the hazards involved. Inspect item and contents carefully. If any damage or defect is found, do not install. Retain all packaging material until installation is complete and approved.

10. Remove metal rods **(C2)** from metal rods **(C1)**, attach glass disks **(N)** to metal rods **(C1)** and secure with rubber washers **(J)** and metal rods **(C2)**. (See diagram 5)
11. Loosen finials **(K)** from metal rods **(C2)**, attach glass disks **(L)** to metal rods **(C2)** and secure with rubber washers **(J)** and finials **(K)**. (See diagram 5)
12. Loosen finials **(K)** from metal rods **(C3)**, attach glass disks **(M)** to metal rods **(C3)** and secure with rubber washers **(J)** and finials **(K)**. (See diagram 5)
13. Remove metal rods **(B4)** from metal rods **(B2)**, attach glass disks **(M)** to metal rods **(B2)** and secure with rubber washers **(J)** and metal rods **(B4)**. (See diagram 4)
14. Loosen finials **(K)** from metal rods **(B4)**, attach glass disks **(L)** to metal rods **(B4)** and secure with rubber washers **(J)** and finials **(K)**. (See diagram 4)
15. Remove metal rods **(B3)** from metal rods **(B1)**, attach glass disks **(N)** to metal rods **(B1)** and secure with rubber washers **(J)** and metal rods **(B3)**. (See diagram 4)
16. Loosen finials **(K)** from metal rods **(B3)**, attach glass disks **(L)** to metal rods **(B3)** and secure with rubber washers **(J)** and finials **(K)**. (See diagram 4)
17. Remove metal rods **(A4)** from metal rods **(A2)**, attach glass disks **(M)** to metal rods **(A2)** and secure with rubber washer **(J)** and metal rods **(A4)**. (See diagram 3)

## ASSEMBLY INSTRUCTIONS



## Loire Cascading Chandelier

Item # ARN 5452

### NOTICE:

This light fixture should be installed in accordance with all applicable, local installation codes, and by a person familiar with the construction and operation of it, as well as the hazards involved. Inspect item and contents carefully. If any damage or defect is found, do not install. Retain all packaging material until installation is complete and approved.

18. Loosen finial **(K)** from metal rods **(A4)**, attach glass disks **(L)** to metal rods **(A4)** and secure with rubber washers **(J)** and finials **(K)**. (See diagram 3)
19. Remove metal rods **(A3)** from metal rods **(A1)**, attach glass disks **(N)** to metal rods **(A1)** and secure with rubber washers **(J)** and metal rods **(A3)**. (See diagram 3)
20. Loosen finial **(K)** from metal rods **(A3)**, attach glass disks **(L)** to metal rods **(A3)** and secure with rubber washers **(J)** and finials **(K)**. (See diagram 3)

**Care Instructions:** Clean only with a soft dry cloth or feather duster. Do Not use abrasive or chemical agents.