

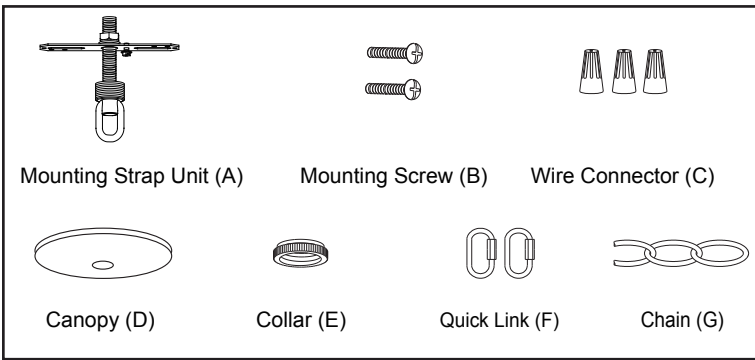
ASSEMBLY AND INSTALLATION INSTRUCTIONS

CH30307A / CH30307BN

WARNING: TO AVOID RISK OF ELECTRICAL SHOCK, BE SURE TO SHUT OFF POWER WHILE INSTALLING OR SERVICING THIS FIXTURE.

NOTES: 1. Before installing, consult local electrical codes for wiring and grounding requirements.
2. Read and save this instructions.

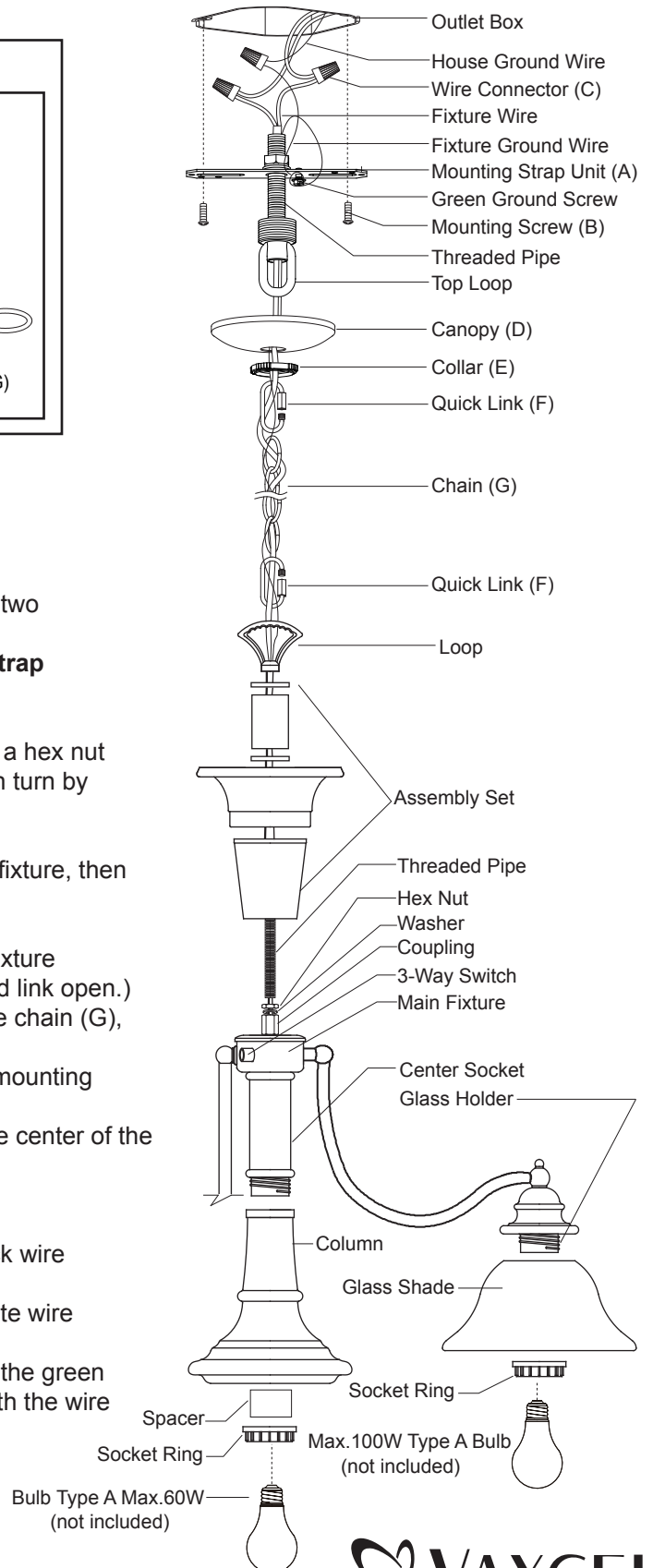
Hardware Package (included):



Installation Steps

Turn off the power at fuse or circuit box.

- Attach the mounting strap unit (A) to the outlet box by using two mounting screws (B).
Note: The depth of the threaded pipe on the mounting strap unit may need to be adjusted to properly fit the fixture.
- Secure threaded pipe into coupling of the main fixture using a hex nut and washer. Attach the assembly set onto the main fixture in turn by inserting threaded pipe, then secure them with loop.
- Secure the column upward to the center socket of the main fixture, then secure it with a spacer and socket ring.
- Determine length of chain (G) needed to achieve desired fixture height. (To remove excess chain section, use pliers to bend link open.)
- Weave the fixture wires and fixture ground wire through the chain (G), collar (E) and the canopy (D).
- Connect the chain (G) to the loop and the top loop on the mounting strap unit (A) using the two quick links (F).
- Thread the fixture wires and fixture ground wire through the center of the mounting strap unit (A).
- Make wire connections with wire connectors (C).
---Connect the smooth wire (marked) from fixture to the black wire from power source.
---Connect the ridged wire (unmarked) from fixture to the white wire from power source.
---Attach the ground wire to the mounting strap unit (A) with the green ground screw, then connect it to the house ground wire with the wire connector (C).
Carefully put wires back into the outlet box.



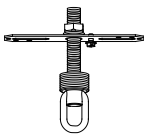


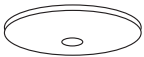


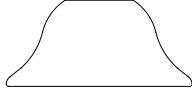
6. Secure the canopy (D) to the mounting strap unit (A), then secure it by tightening the collar (E).
7. Secure the glass shades to the glass holders with the socket rings.
8. Install 7 pcs medium base bulbs (not included). See relamping label at socket area or packaging for maximum wattage allowed.

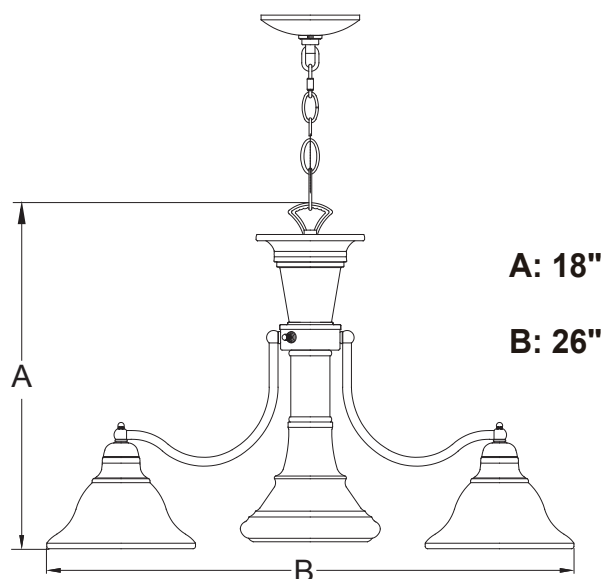
Turn on the power at fuse or circuit box.

Use the 3-Way switch to control the light.

The following parts are available for reorder if damaged or missing.

Spare Parts List:

			Assembly Kit 6815MM (1 SET) for CH30307A 6816MM (1 SET) for CH30307BN
Mounting Strap Unit (A)	Mounting Screw (B)	Wire Connector (C)	
			 Glass Shade 04957
Canopy (D)	Collar (E)	Chain (G)	



1 Year Warranty

Vaxcel warrants all of our products against defects in workmanship and finishes for one year following the date of shipment.

Exclusions: This warranty does not include the failure of products from extreme acts of nature; environmental conditions not suited for the products intended use; operation in temperatures outside of the range specified in the instruction manual; usage with improper power supply, power surges or dips. For coastal locations, some corrosion is considered normal for the environment.

Vaxcel reserves the right to repair, replace or issue a credit for any properly installed product, provided it is returned per RMA instruction. This warranty is limited to the cost of the product only and does not extend to transportation, installation or replacement costs.

How can warranty service be obtained?
 info@vaxcel.com
 1-800-482-9235



231016