

INSTALLATION INSTRUCTIONS

721 – LED Pendant

PD-72128

MODERN FORMS

CAUTION: To prevent electrical shock, ensure electricity has been turned off at the circuit breaker before beginning.

- Read all instructions before installing.
- System is intended for installation by a licensed electrician in accordance with the National Electrical Code (NEC) and local regulations.
- When handling the fixture, do not apply pressure to the LEDs. Hold the fixture by the base only.
- Retain installation instructions for future maintenance reference.

WARNING: All parts must be used as indicated in these instructions. This product is designed for use only with the supplied parts and/or accessories designated for use by Modern Forms. Substitution of parts or accessories not designated for use with this product by Modern Forms could result in personal injury or property damage, and will void the warranty. Contact an authorized dealer or the manufacturer if any parts are damaged or missing.

MAINTENANCE NOTE: Coastal conditions may cause mineral and residue build-up on the fixture. We recommend that customers in coastal areas clean all external surfaces of the fixture once every two weeks with a wet cloth.

MISE EN GARDE: Pour éviter tout choc électrique, assurez-vous que le disjoncteur soit mis hors tension avant de commencer.

- Lisez toutes les instructions avant l'installation.
- Le système doit être installé par un électricien licencié conformément au code national de l'électricité (NEC), et également aux règlements locaux.
- Lors de la manipulation du luminaire, n'appuyez pas sur les LED. Tenez-le uniquement par la base.

ATTENTION: Toutes les pièces doivent être utilisées comme indiqué dans ces instructions. Ce produit est conçu pour être utilisé seulement avec les pièces et/ou accessoires fournis pour être utilisés avec les produits Modern Forms. Remplacer des pièces ou accessoires non conçus pour ce produit Modern Forms pourrait causer des dommages corporels ou matériels et pourrait également causer l'annulation de la garantie. Veuillez contacter un revendeur autorisé ou le fabricant si des pièces manquent ou sont endommagées.

NOTE D'ENTRETIEN: Les conditions côtières peut causer une accumulation de minéraux et de résidus sur le luminaire. Nous recommandons aux clients qui résident dans les zones côtières de nettoyer toutes les surfaces externes du luminaire une fois toutes les deux semaines avec un chiffon humide.

HARDWARE

A



Wire Connector
Qty: 5pcs+2 Extra

B



Mounting Screw
Qty:1 Extra

C



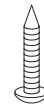
Alabaster
Qty: 64pcs+1 Extra

D



Cap Screw
Qty:1 Extra

E



Wood Screw
Qty: 3pcs+1 Extra

F



Plastic Anchor
Qty: 3pcs+1 Extra

modernforms.com
Phone (800) 526.2588
Fax (800) 526.2585

Headquarters/Eastern Distribution Center
44 Harbor Park Drive
Port Washington, NY 11050

Central Distribution Center
1600 Distribution Ct
Lithia Springs, GA 30122

Western Distribution Center
1750 Archibald Avenue
Ontario, CA 91760



INSTALLATION INSTRUCTIONS

721- LED Pendant

PD-72128

MODERN FORMS

FIG. 1

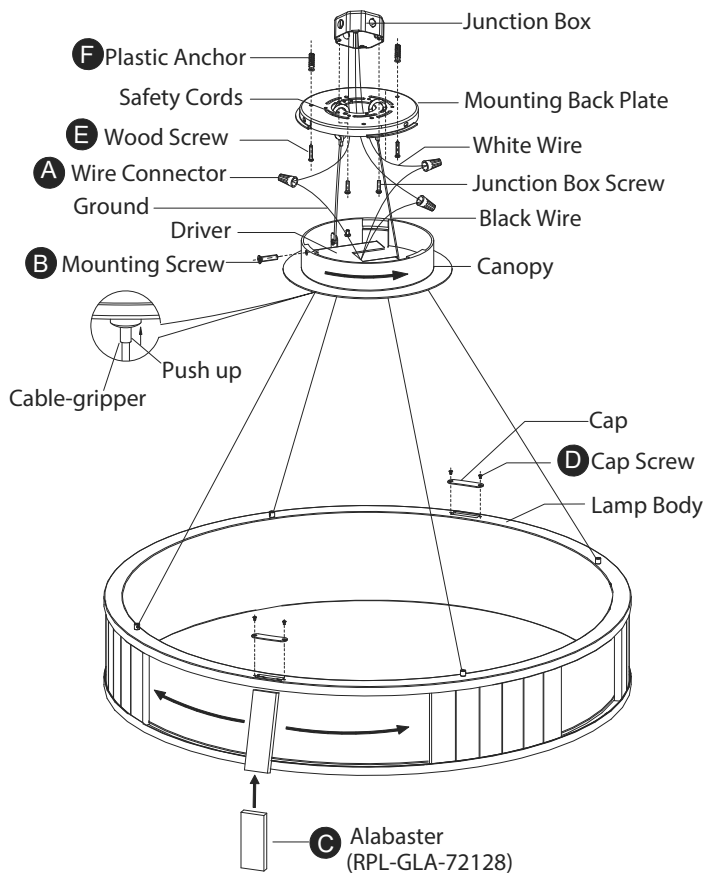
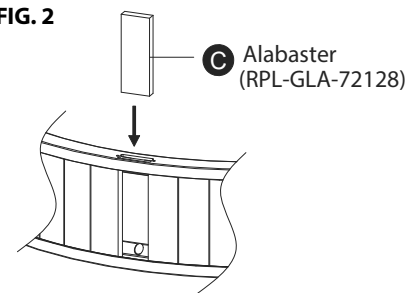


FIG. 2



PREPARATION

1. Shut off the power at the circuit breaker and remove existing fixture, including the crossbar.
2. Carefully unpack your new fixture and lay out all the parts on a clear area. Be careful not to lose any small parts necessary for installation.

MOUNTING THE FIXTURE (Fig. 1)

3. Remove the cap screw (D) and cap from the fixture.
4. Remove the mounting screw (B) and back plate from the fixture.
5. Drill holes in the ceiling aligned with the key holes located in the mounting back plate, insert the plastic anchor (F).
6. Secure the mounting back plate to the junction box using standard junction box screws that comes with the junction box, fasten it to the ceiling using wood screw (E).

Note: (i) using any other non-original-manufacturer provided junction box screw may result in safety issue;
(ii) The side of the mounting plate marked "GND" must face out.

7. Adjust the fixture wire length by pushing the cable gripper on the canopy and pulling the wire as desired.
 - a) Retract the wires inside the canopy until the pendant is close to a desirable length prior to securing the fixture in place.

Note: retracting or extending excessive cable length through the cable gripper is not commended.
 - b) **Warning:** Shortening these cables without professional helps or electronic background is not advisable. Any modifications to the fixture may result in voiding the warranty of the product.
8. If shortening the cable is needed, make sure to identify how the wires are being connected and label each wire clearly before trimming/shortening (Fig. 4).

modernforms.com
Phone (800) 526.2588
Fax (800) 526.2585

Headquarters/Eastern Distribution Center
44 Harbor Park Drive
Port Washington, NY 11050

Central Distribution Center
1600 Distribution Ct
Lithia Springs, GA 30122

Western Distribution Center
1750 Archibald Avenue
Ontario, CA 91760



INSTALLATION INSTRUCTIONS

721- LED Pendant

PD-72128

MODERN FORMS

CONNECTING THE WIRES (Fig. 3)

9. Properly secure the safety cord to the bracket on mounting back plate to hang the fixture temporarily in place and aid installation.
10. Connect the driver's output wires to center cable as shown in Fig. 4, red to the center, and black to the bare, make sure that wire connectors (A) are secured. Then tuck them inside the canopy.
11. Connect the driver's input wires to junction box wires as shown in Fig. 3, making sure that all wire connectors (A) are secured. If your outlet box has a green or bare copper ground wire, connect the fixture's ground wire to it. Otherwise, connect the fixture's ground wire directly to the back plate using the GND screw provided. After wires are connected, tuck them carefully inside the junction box.
12. Secure the fixture by mounting the canopy onto the back plate. Turn and rotate the canopy in the direction of the arrow until it stops (Fig1).
13. Fasten the canopy to the mounting back plate with mounting screws(B).

COMPLETING THE INSTALLATION

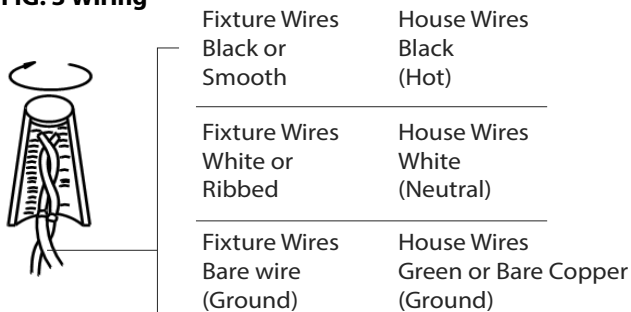
14. Insert the alabaster panels (C) into the slot from the bottom up (Fig.1), so it sits along the bottom frame of the fixture and side it over to your desired position .
 15. The last piece of alabaster is not easy to be inserted from the bottom, and should be insert it from the top slot(Fig.2).
- Note :** Alabaster panels is fragile, please handle it with care.
16. When complete, place the cap over the fixture and secure with cap screws(D).

DIMMING WIRING INFORMATION (Fig. 4)

17. This fixture features electronic low voltage (ELV or TRAIC) or 0-10V dimming capabilities. See notes below for specific dimming wires information.
18. To utilize ELV or TRAIC dimming: use wires black (hot), white (neutral) and bare copper ground wire (ground).
19. To utilize 0-10V dimming: use wire purple (dim+), gray (dim-), black (hot), white (neutral) and bare copper ground wire (ground).

NOTE: Make sure to connect 0-10V prior to power-up the fixture in order to allow the 0-10V dimming to function properly.

FIG. 3 Wiring



Mounting Back Plate Dimensions

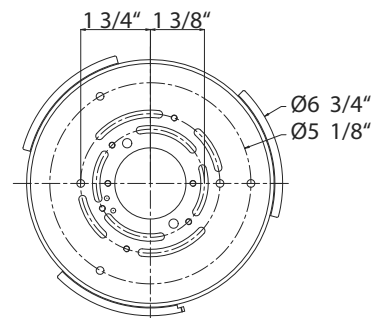
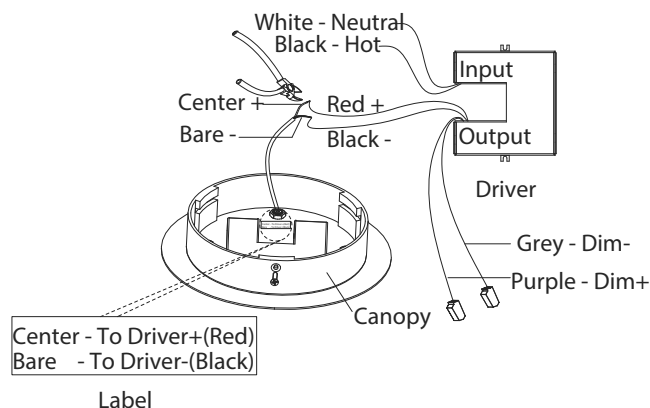


FIG. 4 Driver Wires



modernforms.com
Phone (800) 526.2588
Fax (800) 526.2585

Headquarters/Eastern Distribution Center
44 Harbor Park Drive
Port Washington, NY 11050

Central Distribution Center
1600 Distribution Ct
Lithia Springs, GA 30122

Western Distribution Center
1750 Archibald Avenue
Ontario, CA 91760

