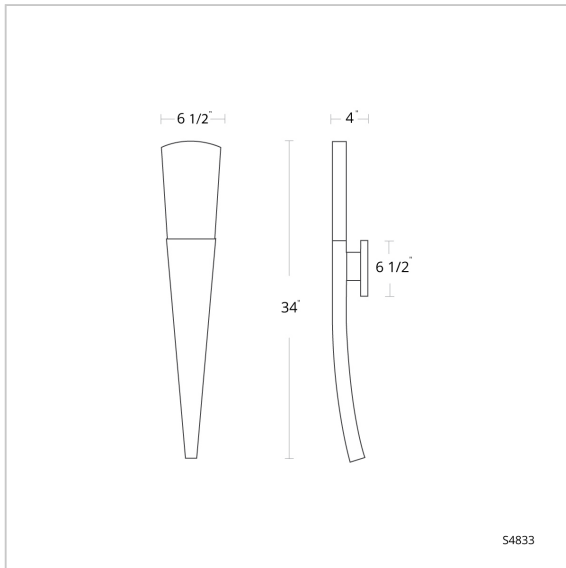


Embrace

S4833



LINE DRAWING



DESCRIPTION

A convergence of form and light. Swathes of smooth metal tipped with blocks of Optic Haze Crystal deliver LED illumination that is subtle in its simplicity.

FEATURES

- Optic Haze™, made of natural quartz, has unique variations in luster, hue, patterning and texture inherent to this material. When illuminated, the dimension of the crystal is beautifully accented.
- Built-in adjustable 3000K / 3500K / 4000K color temperature switch in backplate
- "A proprietary universal 120V-220V-277V driver concealed within the canopy suspension height"
- Driver concealed within the canopy

CRYSTAL OPTIONS



Optic Haze
Crystal
(OH)

FINISH OPTIONS



Aged Brass
(-700)



Black
(-18)

SPECIFICATIONS

Light Source	LED
CRI	90
Dimming	ELV, Triac
Standards	ETL/cETL, Title 24,

REPLACEMENT PARTS

RPL-GLA-4427 - Replacement Glass for S4427

Model	Finish	Crystal	Size	CCT	Weight	Voltage	Wattage	LED Lumens	Delivered Lumens
S4833	- 700 - 18	OH	34"	3000K/3500K/ 4000K	9lbs	120-277 VAC	28W	3350	Up To 2010

Example: S4833-700OH