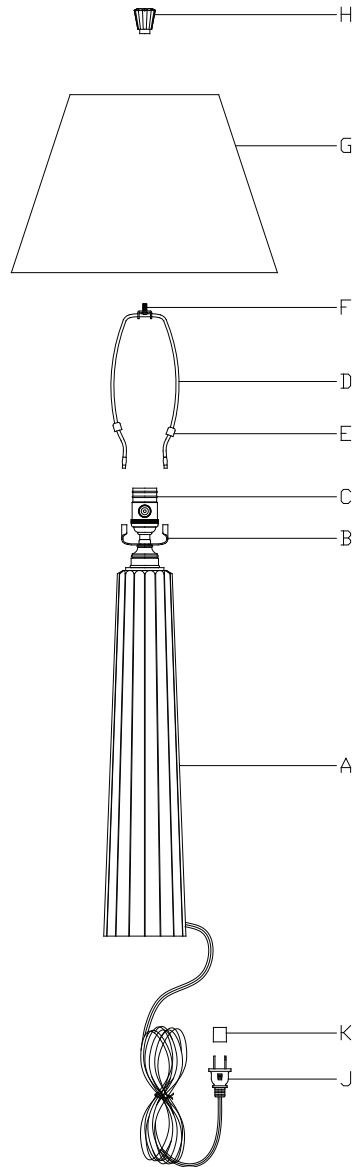


CHA8906

ASSEMBLY & INSTALLATION GUIDE



INSPECT ITEM CAREFULLY BEFORE ATTEMPTING TO INSTALL. IF THERE IS ANY DAMAGE OR OBVIOUS DEFECT, DO NOT INSTALL.

ITEM MAY NOT BE RETURNED ONCE IT HAS BEEN INSTALLED.

1. Place the lamp body assembly (A) on the floor or on a table.
2. Insert harp (D) into the two-pronged saddle (B) as shown.
3. Lower harp caps (E) so that they cover the two-pronged saddle (B).
4. Remove finial (H) from harp (D).
5. Place lampshade (G) over the assembled harp (D) and align the harp nipple (F) with the opening at the top of the shade so that the nipple protrudes through the opening.
6. Attach finial (H) to harp nipple (F) and turn clockwise to secure.
7. Insert bulb (not included) into socket (C).
8. Remove red protective plug cover (K) from plug (J).
9. Plug into proper electrical outlet and test fixture.
10. Assembly is complete.