

Bau 36 Pendant LED

DESCRIPTION

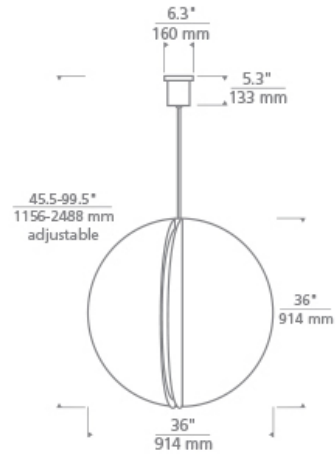
The Bau 36 Pendant by Tech Lighting draws attention to the glow of integrated LEDs nested within thin rounded metal stamped plates. Celebrating the modern influence of Asian design, four LED-firing fins provide generous illumination to any space. Available in two modern finishes Nightshade Black and Natural Brass that will patina over time, the Bau Line Voltage pendant is a stunning focal point to your interior design. Complete the look with smaller size Line Voltage Pendants, Linear Suspension and Bath Bar. Includes 120-277 volt universal, 84.5 watt, 2886 delivered lumens, 3000K, 90 CRI LED module. Dimmable with most LED compatible ELV dimmers. Includes (2) 6" and (4) 12" rigid stems in coordinating finish. Can be installed on a sloped ceiling up to 20°.

INSTALLATION

This product can mount to either a 4" square electrical box with round plaster ring or an octagon electrical box.

WEIGHT

94-94lb / 42.64-42.64kg ±



natural brass nightshade black

ORDERING INFORMATION

700 SYSTEM	BAU36	FINISH	LAMP
TD	LINE-VOLTAGE PENDANTS/SUSPENSION	NB NATURAL BRASS B NIGHTSHADE BLACK	-LED930 INTEGRATED LED 90 CRI 3000K 120V-277V UNV



TECH LIGHTING®
 7400 Linder Avenue T 847.410.4400
 Skokie, Illinois 60077 F 847.410.4500

Tech Lighting, L.L.C.

700

FIXTURE:

TYPE:

JOB NAME:

NOTES: